

ENELTEC®

brighten your ideas

LED Bulbs

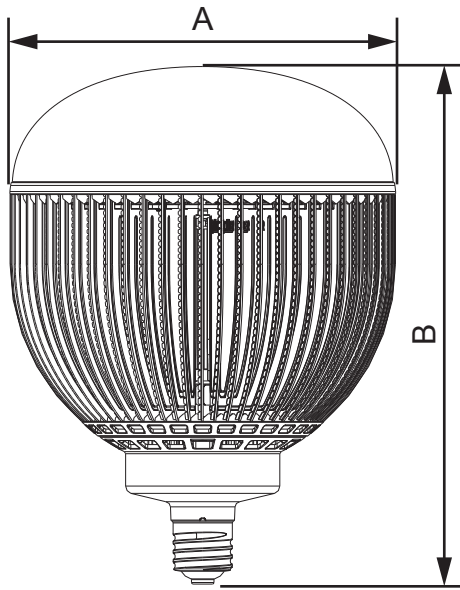


Specifications:

- Power: 3-120W
- Beam Angle: 180°
- Voltage: 85-265VAC
- Power Factor: ≥ 0.9
- Color: 2800-3200K / 4000-4500K / 6000-6500K
- Operating temperature: -40 to + 45°C
- Material: Aluminium Alloy
- Light Degradation: < 5% in 20,000 hours
- Warranty: 3 years



- **Dimensions:**

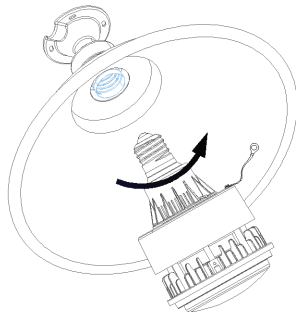


Model	Dimension (mm)	
	A	B
ENBL-3W-01	Φ49	99
ENBL-5W-01	Φ60	110
ENBL-7W-01	Φ63	137
ENBL-9W-01	Φ72	135
ENBL-15W-01(E)	Φ100	148
ENBL-27W-01(E)	Φ130	194
ENBL-36W-01(E)	Φ173	249
ENBL-60W-01(E)	Φ204	278
ENBL-120W-01(E)	Φ250	336

- **Installation:**

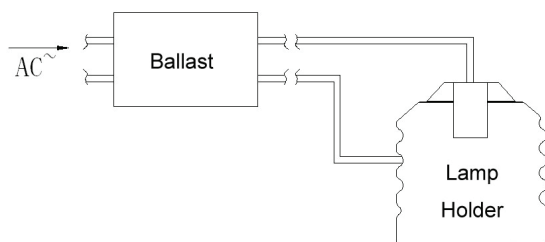
A: Replace CFL

Remove the self-ballasted CFL , and install the LED light on the lamp holder by clockwise rotating, fix the insurance rope.

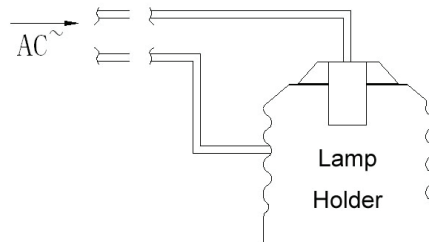


B: Replace MH & HPS Light

Remove the ballast of MH & HPS Light, connect the wires to the lamp holder, install the LED light, fix the insurance rope.



Before



After

● Data:

Model	ENBL-3W-01	ENBL-5W-01	ENBL-7W-01	ENBL-9W-01	ENBL-15W-01E	ENBL-15W-01	ENBL-27W-01E	ENBL-27W-01	ENBL-36W-01E	ENBL-36W-01	ENBL-60W-01E	ENBL-60W-01	ENBL-120W-01E	ENBL-120W-01
Power (W)	3	5	7	9	15	15	27	27	36	36	60	60	120	120
Lumen Output (LM)	270	450	630	810	1275	1350	2295	2430	3060	3240	5100	5400	10200	10800
LED	BRIDGELUX 45mil 1W× 3pcs	BRIDGELUX 45mil 1W× 5pcs	BRIDGELUX 45mil 1W× 7pcs	BRIDGELUX 45mil 1W× 9pcs	Sanan SMD5730 30pcs	BRIDGELUX 45mil 1W× 15cs	Sanan SMD5730 54pcs	BRIDGELUX 45mil 1W× 27cs	Sanan SMD5730 72pcs	BRIDGELUX 45mil 1W× 36cs	Sanan SMD5730 120pcs	BRIDGELUX 45mil 1W× 60cs	Sanan SMD5730 240pcs	BRIDGELUX 45mil 1W× 120cs
Input Voltage	85-265VAC 50Hz/60Hz													
Power Factor	≥0.9													
Power Efficiency	94%													
Beam Angle	180°													
Color	2800-3200K / 4000-4500K / 6000-6500K													
CRI	>80	>80	>80	>80	>70	>80	>70	>80	>70	>80	>70	>80	>70	>80
Light Source Lifespan	50000h													
Working Environment	Temperature: -40℃~50℃ Humidity: 10%~90%													
Storage Environment	Temperature: -25℃~65℃ Humidity: 10%~90%													
IP Rating	IP25													
Housing	Aluminium alloy													
Packing Method	320 pcs/ctn	200 pcs/ctn	200 pcs/ctn	180 pcs/ctn	50 pcs/ctn	50 pcs/ctn	18 pcs/ctn	18 pcs/ctn	12 pcs/ctn	12 pcs/ctn	4 pcs/ctn	4 pcs/ctn	4 pcs/ctn	4 pcs/ctn
Packing Dimension (mm)	465×365× 435	465×365× 435	645×440× 425	575×435× 505	505×470× 420	505×470× 420	535×535× 535	535×535× 535	665×440× 640	665×440× 640	525×525× 360	525×525× 360	620×620× 430	620×620× 430
Net Weight/ Gross Weight (kg)	25.6/30.0	20.0/25.0	24.0/28.0	23.4/26.0	12.5/15.0	12.5/15.0	9.0/14.0	9.0/14.0	13.2/21.0	13.2/21.0	6.0/10.7	6.0/10.7	11.2/16.0	11.2/16.0

● Packing Method

