

LED Slim Panel



Product Details



LGP

Imported acrylic scrub LGP, more glittering and translucent and bright, good pervious to light, more soft, highlight the unique taste and style.



RADIATOR

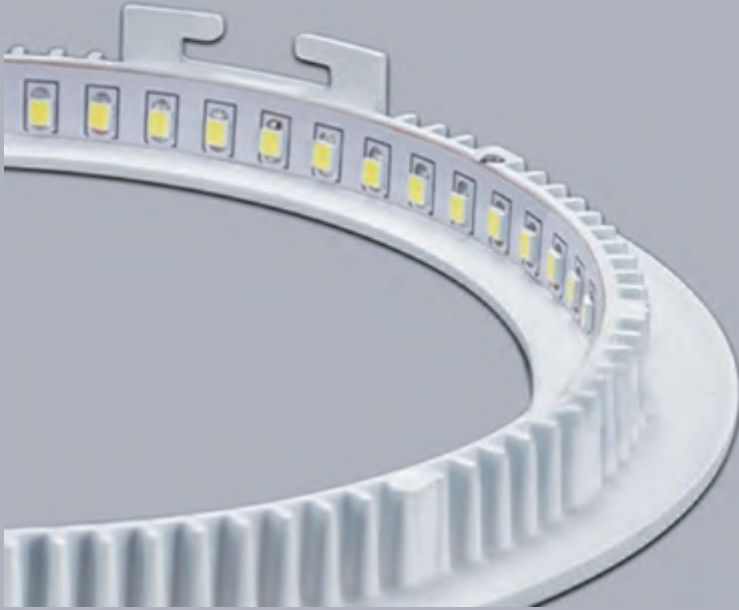
Integrated space seiko aluminum, strong convection radiator design, best heat dissipation and lifespan.



DRIVER

Intelligent IC control circuit, open circuit, short circuit, overvoltage, undervoltage protection.

Product Details



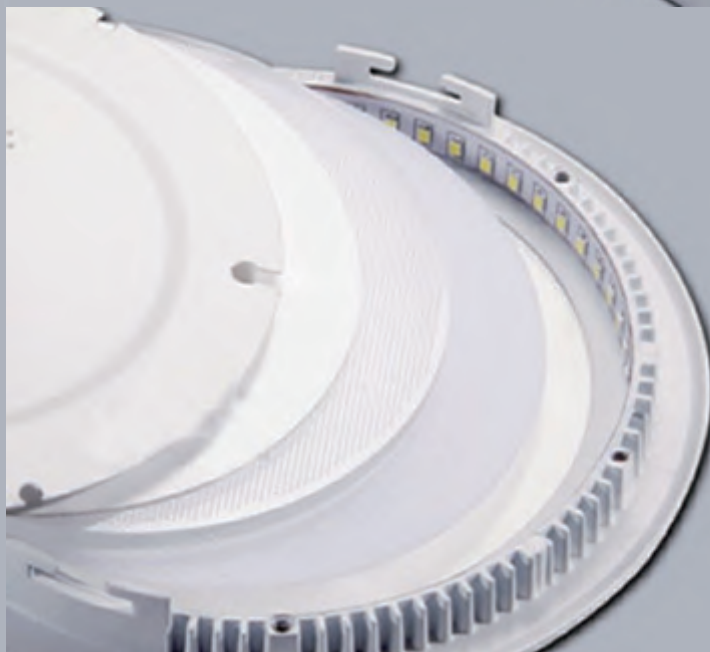
LED

Sanan SMD 2835 LED, high CRI, high light intensity, low light loss.



INTERFACE

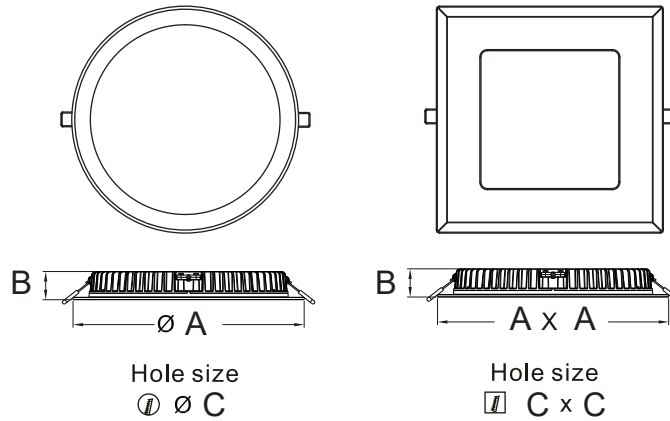
Fast connection plug from driver to lamp body.



INTERNAL MATERIALS

Using best back plate, LGP, reflective paper, making the light soft and high light intensity.

Dimensions



Model No.	Dimension		
	Length A (mm)	Height B (mm)	Hole C (mm)
ENDL-E3W-R01	82/3.2 Inch	12	70
ENDL-E6W-R01	114/4.5 inch	12	105
ENDL-E9W-R01	140/5.5 inch	12	130
ENDL-E12W-R01	168/6.6 inch	12	150
ENDL-E15W-R01	190/7.5 inch	12	175
ENDL-E18W-R01	212/8.3 inch	12	205
ENDL-E24W-R01	295/11.6 inch	12	280
ENDL-E3W-S01	90/3.5 Inch	12	75
ENDL-E6W-S01	110/4.3 inch	12	90
ENDL-E9W-S01	145/5.7 inch	12	130
ENDL-E12W-S01	165/6.5 inch	12	150
ENDL-E15W-S01	190/7.5 inch	12	175
ENDL-E18W-S01	220/8.7 inch	12	205
ENDL-E24W-S01	293/11.5 inch	12	275

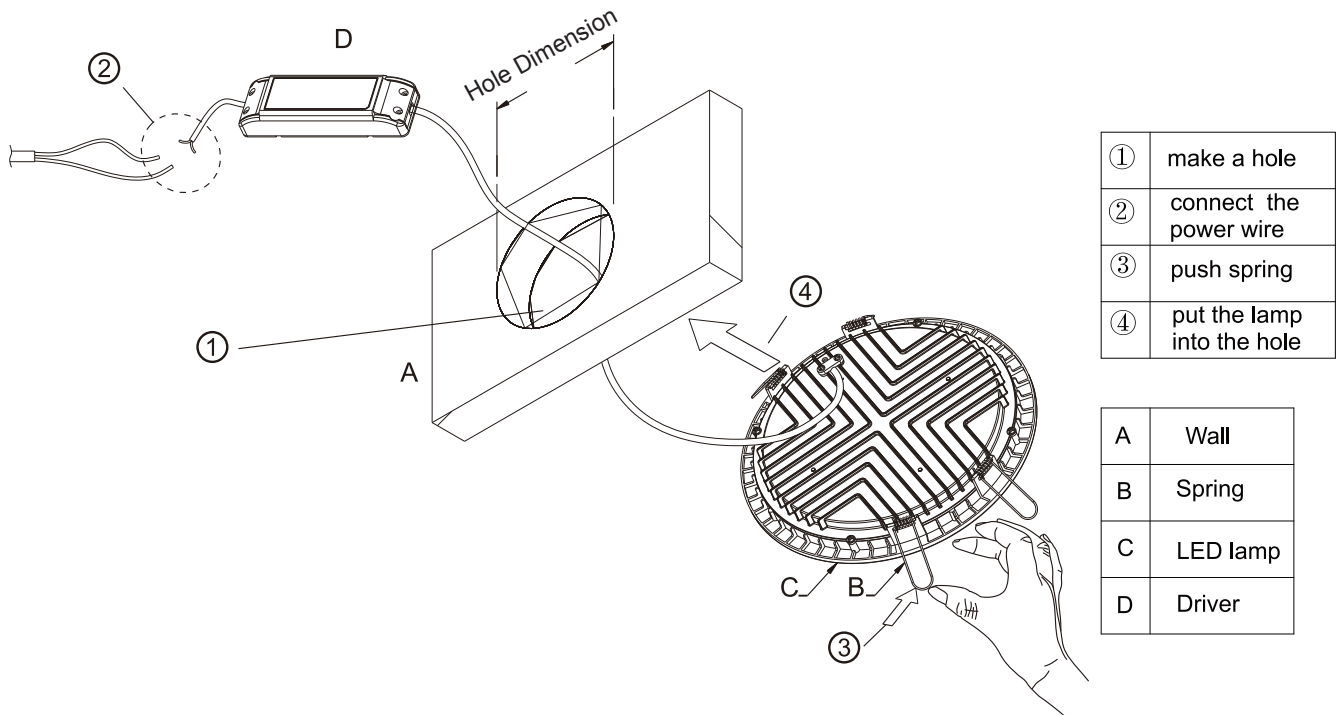
Data

Model No.	ENDL-E3W-R(S)01	ENDL-E6W-R(S)01	ENDL-E9W-R(S)01	ENDL-E12W-R(S)01	ENDL-E15W-R(S)01	ENDL-E18W-R(S)01	ENDL-E24W-R(S)01
Input Voltage	160-265VAC / 110-265VAC						
Power (W)	3	6	9	12	15	18	24
LED	Sanan SMD2835						
LED Quantity (PCS)	15	30	44	60	76	90	120
Surge Protection	2000V						
Lumen (lm)	72	288	486	900	945	1332	1824
Luminous Efficiency	24	48	54	75	63	74	76
CRI	>80						
Beam Angle	120°						
Color Temperature	3000K/4000K/6500K						
Warranty	1 Year						
Packing Dimension (cm)	100pcs 50×31×28	100pcs 64.5×31×33	40pcs 39×31×44	40pcs 39×31×44	20pcs 47.5×31×28	20pcs 47.5×31×28	20pcs 750×390×330
Net Weight/ Gross Weight (Kg)	R Models: 5.6/6.6	R Models: 10.7/11.7	R Models: 5.92/6.92	R Models: 7.88/8.88	R Models: 4.86/5.86	R Models: 6.4/7.4	R Models: 11.42/12.42
	S Models: 7.4/8.4	S Models: 10.6/11.6	S Models: 7.76/8.76	S Models: 9.76/10.76	S Models: 5.94/6.94	S Models: 7.88/8.88	S Models: 9.14/10.14

Applications



Installation



Other cautions

1. Power must be cut off before installation, fix it on the position of installation holes, connection of the power supply must be sealed.
2. Please read the specification first, to make sure the service environment matches the condition in the specification before using.
3. Please confirm the applicable power supply before using.
4. Make sure the switch of product is off before connect to the power supply to prevent electric shock.
5. Operation against rules may damage your property even harm to your personal safety.
6. Preliminarily estimate required quantity of LED lights, then according to the power rating of single flood light to figure out the total power and design power supply plan.
7. The light can't be installed on the tubes and pipes.
8. If the exterior flexible cable or wire is damaged, it must exchange by the supplier, its agent or other similar qualified personnel to avoid dangers.