

Ultra Slim LED Down Lights



EPISTAR



www.eneltec-led.com

Product Details



LGP

Imported acrylic scrub LGP, more glittering and translucent and bright, good pervious to light, more soft, highlight the unique taste and style.



RADIATOR

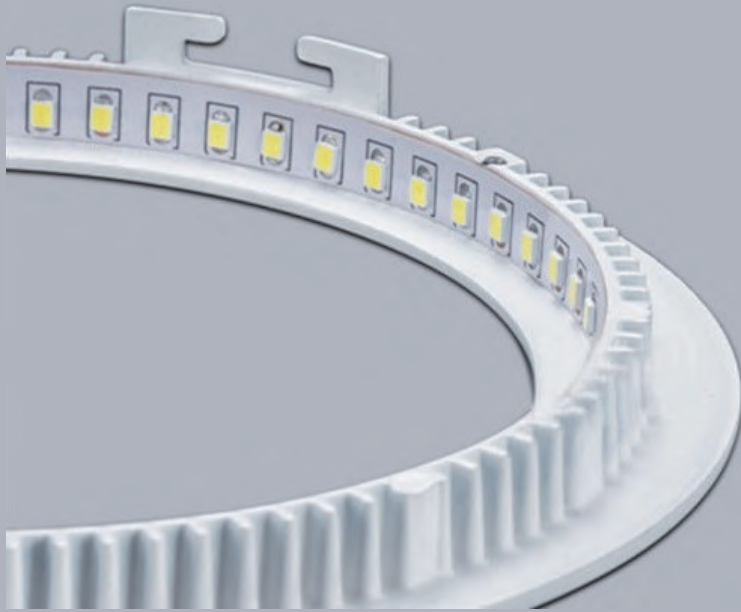
Integrated space seiko aluminum, strong convection radiator design, best heat dissipation and lifespan.



DRIVER

Intelligent IC control circuit, open circuit, short circuit, overvoltage, undervoltage protection.

Product Details



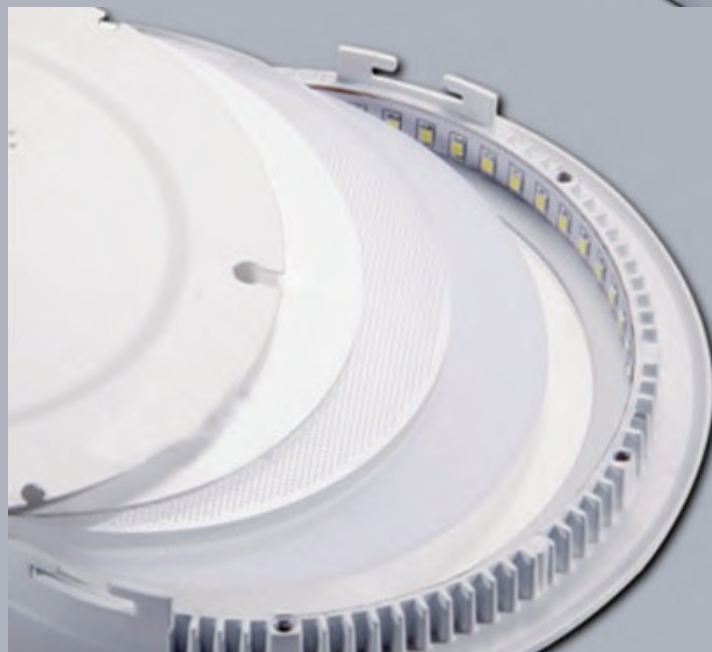
LGP

EPISTAR/Sanan SMD 2835 LED, high CRI, high light intensity, low light loss.



INTERFACE

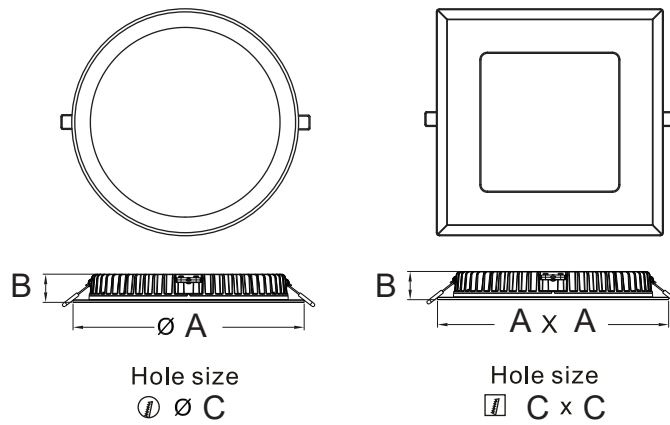
Fast connection plug from driver to lamp body.



INTERNAL MATERIALS

Using best back plate, LGP, reflective paper, making the light soft and high light intensity.

Dimensions



Model No.	Dimension		
	Length A (mm)	Height B (mm)	Hole C (mm)
ENDL-3WSMD-R(S)02E	90/3.5 Inch	12	70
ENDL-6WSMD-R(S)02E	120/5 inch	12	100
ENDL-9WSMD-R(S)02E	150/6 inch	12	130
ENDL-12WSMD-R(S)02E	170/6.5 inch	12	150
ENDL-15WSMD-R(S)02E	190/7.5 inch	12	170
ENDL-18WSMD-R(S)02E	225/9 inch	12	200
ENDL-24WSMD-R(S)02E	300/12 inch	12	275



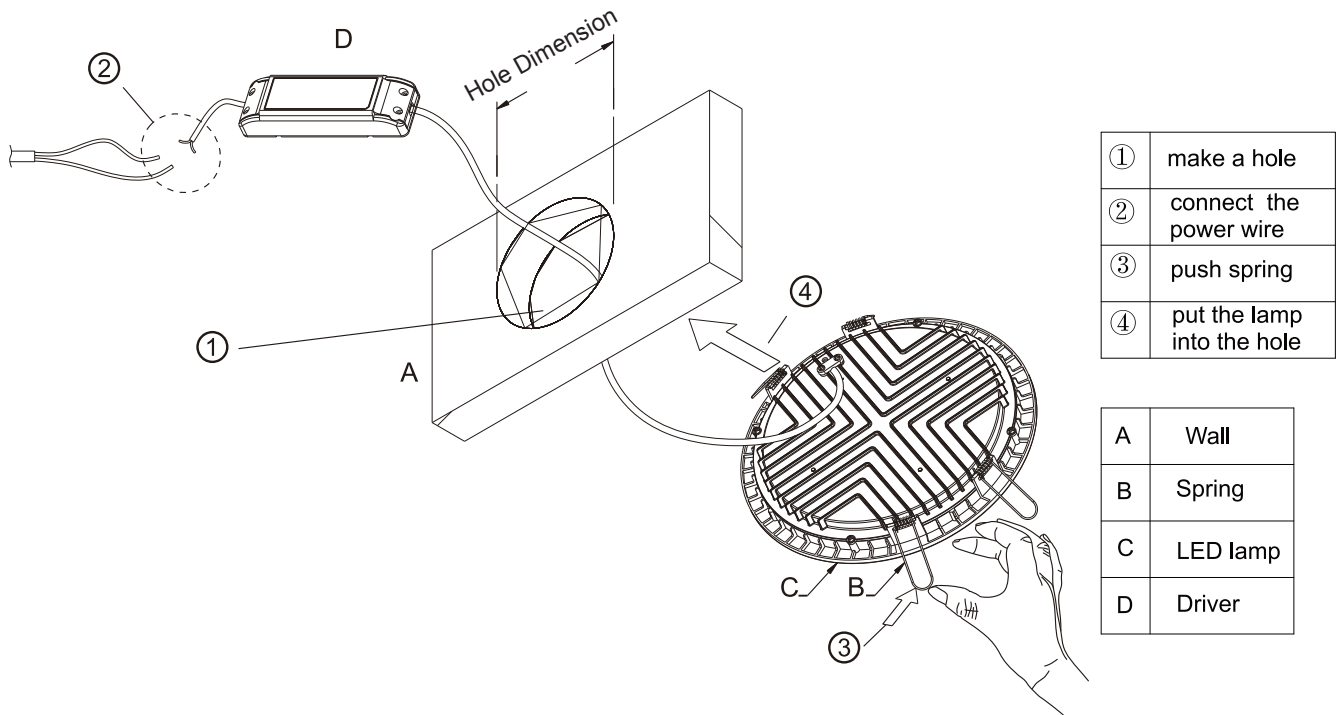
Data

Model No.	ENDL-3WSMD-R(S)02E	ENDL-6WSMD-R(S)02E	ENDL-9WSMD-R(S)02E	ENDL-12WSMD-R(S)02E	ENDL-15WSMD-R(S)02E	ENDL-18WSMD-R(S)02E	ENDL-24WSMD-R(S)02E
Input Voltage	85-265VAC (Dimmable Models: 100-120V / 220-240VAC)						
Frequency	50-60Hz						
Output Current	300mA±5%						
Output Voltage	3-10VDC	12-23VDC	30-40VDC	30-40VDC	45-65VDC	45-65VDC	54-84VDC
Power Factor	0.6						
Power (W)	3	6	9	12	15	18	24
LED	ES Models: Sanan SMD2835, EE Models: Epistar SMD2835						
LED Quantity (PCS)	15	30	45	60	75	90	120
Circuit	3 series 5 parallel	6 series 5 parallel	9 series 5 parallel	12 series 5 parallel	15 series 5 parallel	18 series 5 parallel	24 series 5 parallel
Lumen (lm)	ES Models: 240 EE Models: 300	ES Models: 480 EE Models: 600	ES Models: 720 EE Models: 900	ES Models: 960 EE Models: 1200	ES Models: 1200 EE Models: 1500	ES Models: 1440 EE Models: 1800	ES Models: 1920 EE Models: 2400
Luminous Efficiency	ES Models: 80lm/W, EE Models: 100lm/W						
CRI	ES Models: >70, EE Models: >80						
Beam Angle	120°						
Color Temperature	2800-3200K / 4000-4500K / 6000-6500K						
Warranty	ES Models: 2 Years, EE Models: 3 Years						
Packing Dimension (mm)	60pcs 345×315×305	40pcs 415×330×296	30pcs 495×387×263	30pcs 495×387×263	30pcs 575×315×485	30pcs 575×315×485	20pcs 750×390×330
Net Weight/ Gross Weight (Kg)	60pcs 9.2/9.6	40pcs 9.5/10.0	30pcs 10.1/10.6	30pcs 12.4/13.0	30pcs 15.2/16.0	30pcs 19.0/19.0	20pcs 24.1/25.3

Applications



Installation



Other cautions

1. Power must be cut off before installation, fix it on the position of installation holes, connection of the power supply must be sealed.
2. Please read the specification first, to make sure the service environment matches the condition in the specification before using.
3. Please confirm the applicable power supply before using.
4. Make sure the switch of product is off before connect to the power supply to prevent electric shock.
5. Operation against rules may damage your property even harm to your personal safety.
6. Preliminarily estimate required quantity of LED lights, then according to the power rating of single flood light to figure out the total power and design power supply plan.
7. The light can't be installed on the tubes and pipes.
8. If the exterior flexible cable or wire is damaged, it must exchange by the supplier, its agent or other similar qualified personnel to avoid dangers.