



LED Explosion Proof Flood Lights

www.eneltec-led.com

ENELTEC[®]
brighten your ideas



Terminal compartment is isolated from the LED source compartment. Ensure safety. Much easier for connection and maintenance.

Perfect heat dissipation design, providing an efficient thermal path to the heat sink assembly.

Explosion proof aluminium alloy enclosure, high anti-impact performance. Can endure 20J impact.



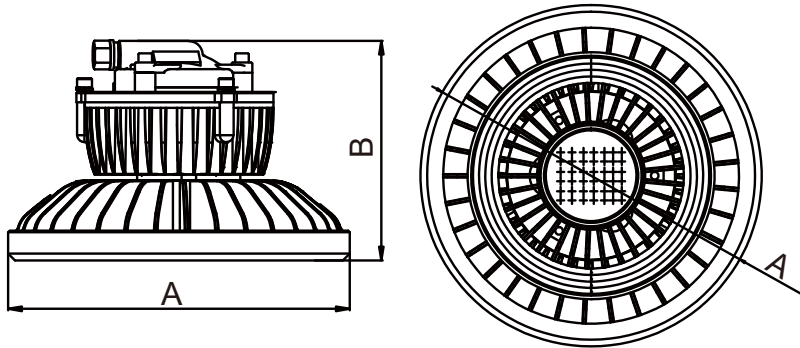
Anti-off designed screw to reduce the time of installation and maintenance.

BRIDGELUX LED source, high efficacy and lumen output.

The LED is clung to the enclosure, which can make the heat dissipation very fast. Lower the junction temp.

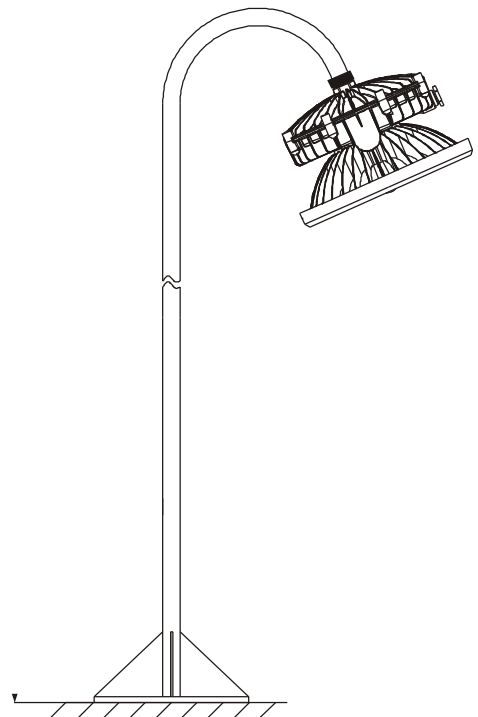
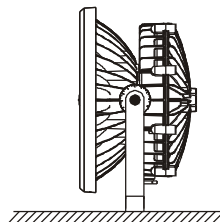
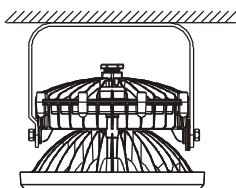
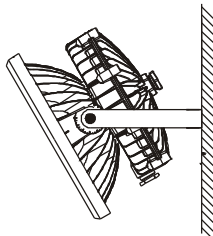
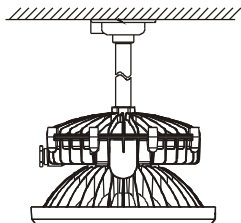


Dimensions



Model	Dimension(mm) A×B
ENEP-50W-16	Φ220*186
ENEP-60W-16	Φ220*186
ENEP-70W-16	Φ220*186
ENEP-80W-16	Φ220*186
ENEP-100W-16	Φ263*186
ENEP-120W-16	Φ263*186
ENEP-150W-16	Φ263*186
ENEP-200W-16	Φ340*186
ENEP-240W-16	Φ340*186

Installation



Data

Item	ENEP-50W-16	ENEP-60W-16	ENEP-70W-16	ENEP-80W-16	ENEP-100W-16	ENEP-120W-16	ENEP-150W-16	ENEP-200W-16	ENEP-240W-16
Voltage	85-265VAC 85-265VAC 85-265VAC 85-265VAC 85-265VAC 85-265VAC 85-265VAC 85-265VAC 85-265VAC 85-265VAC								
PF	>0.95	>0.95	>0.95	>0.95	>0.95	>0.95	>0.95	>0.95	>0.95
Power Efficiency	>88%	>88%	>88%	>88%	>88%	>88%	>88%	>88%	>88%
THD	≤12%	≤12%	≤12%	≤12%	≤12%	≤12%	≤12%	≤12%	≤12%
Power (W)	50	60	70	80	100	120	150	200	240
LED Lumen (lm)	6000	7200	8400	9600	12000	14400	18000	24000	28800
System Lumen Output (lm)	5000	6000	7000	8000	10000	12000	15000	20000	24000
Beam Angle	60°/ 90°/ 120°	60°/ 90°/ 120°	60°/ 90°/ 120°	60°/ 90°/ 120°	60°/ 90°/ 120°	60°/ 90°/ 120°	60°/ 90°/ 120°	60°/ 90°/ 120°	60°/ 90°/ 120°
Color	3000-3500K / 4000-4500K / 6000-6500K								
CRI	>70	>70	>70	>70	>70	>70	>70	>70	>70
LED	BRIDGEL UX	BRIDGEL UX	BRIDGEL UX	BRIDGEL UX	BRIDGEL UX	BRIDGEL UX	BRIDGEL UX	BRIDGEL UX	BRIDGEL UX
Working Temperature	-30℃~ +50℃	-30℃~ +50℃	-30℃~ +50℃	-30℃~ +50℃	-30℃~ +50℃	-30℃~ +50℃	-30℃~ +50℃	-30℃~ +50℃	-30℃~ +50℃
Storage Temperature	-45℃~ +60℃	-45℃~ +60℃	-45℃~ +60℃	-45℃~ +60℃	-45℃~ +60℃	-45℃~ +60℃	-45℃~ +60℃	-45℃~ +60℃	-45℃~ +60℃
IP Rating	IP66	IP66	IP66	IP66	IP66	IP66	IP66	IP66	IP66
Explosion-Proof Rating	Ex db eb IB T6 Gb	Ex db eb IB T6 Gb	Ex db eb IB T6 Gb	Ex db eb IB T6 Gb	Ex db eb IB T6 Gb	Ex db eb IB T6 Gb	Ex db eb IB T6 Gb	Ex db eb IB T6 Gb	Ex db eb IB T6 Gb
Anti-corrosion Rating	WF2	WF2	WF2	WF2	WF2	WF2	WF2	WF2	WF2
Lifespan (Hour)	50000	50000	50000	50000	50000	50000	50000	50000	50000

