



# LED Explosion Proof Handlamps



# LED Explosion Proof Handlamps



## Product Description

This LED explosion-proof hand lamp use high-efficiency LED chips and do not require ballasts. It is produced by the device with a color temperature of 6000K (optional), which is clearer and whiter than the light produced by incandescent lamps, and there is no glare, 360° luminous angle. It is durable, corrosion-resistant, and has undergone extreme hydraulic and heavy pressure testing to withstand 7J impact. It has the characteristics of small size, light weight, portable etc. No hot when operate at the highest temperature, internal locking can prevent the cable from pulling out. Application to zone 1, zone 21; zone 2, zone 22 dangerous areas.

## Features

- Meanwell LED Driver, >90% driver efficacy.
- Circuit design: 4KV/6KV Surge Protection power supply.
- LED: LM80 certified, high efficacy, low decay, long lifespan. 130lm/W

## Material

**Hook:** 316 stainless steel

**Lens:** tempered glass, shock & vibration resistant, Super clear, >90% light transmit.

**Housing:** Aluminum alloy, ADC12 (high pressure), powder coated.

**Handle part:** aluminum alloy inside + rubber cover.

## Certification

ATEX:  
Ex II 2G Ex db eb IIC T6 Gb;  
Ex II 2D Ex tb IIIC T 80°C Db;

IECEX:  
Ex db eb IIC T6 Gb;  
Ex tb IIIC T 80°C Db;

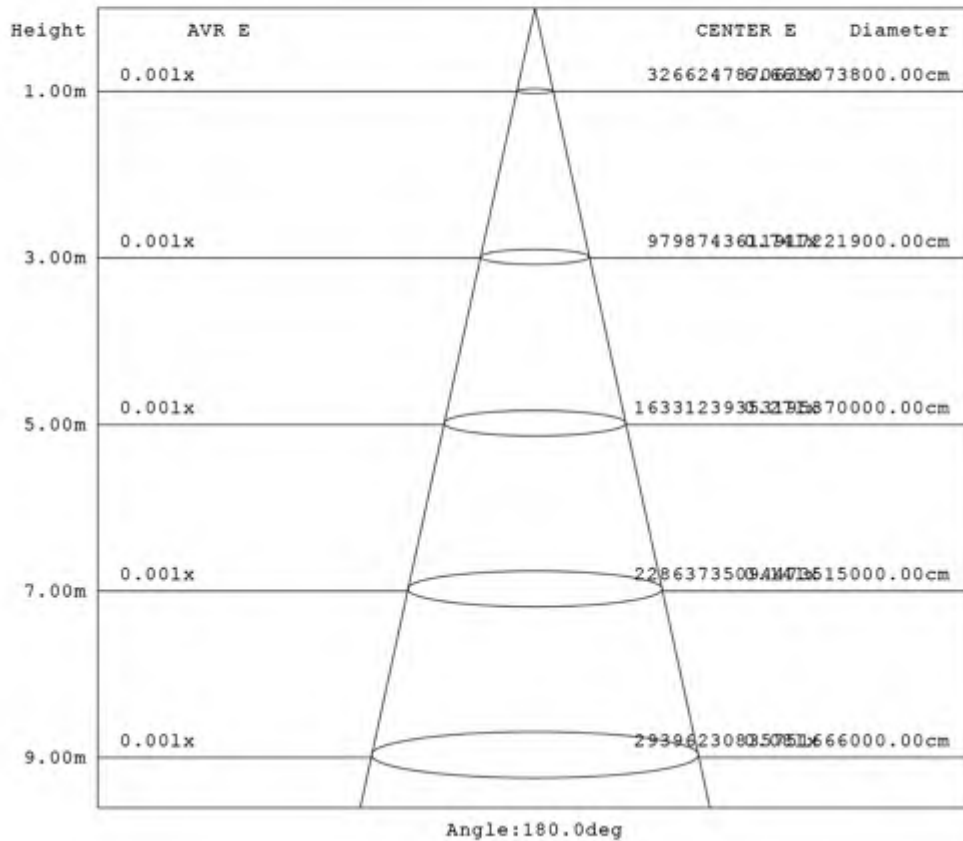
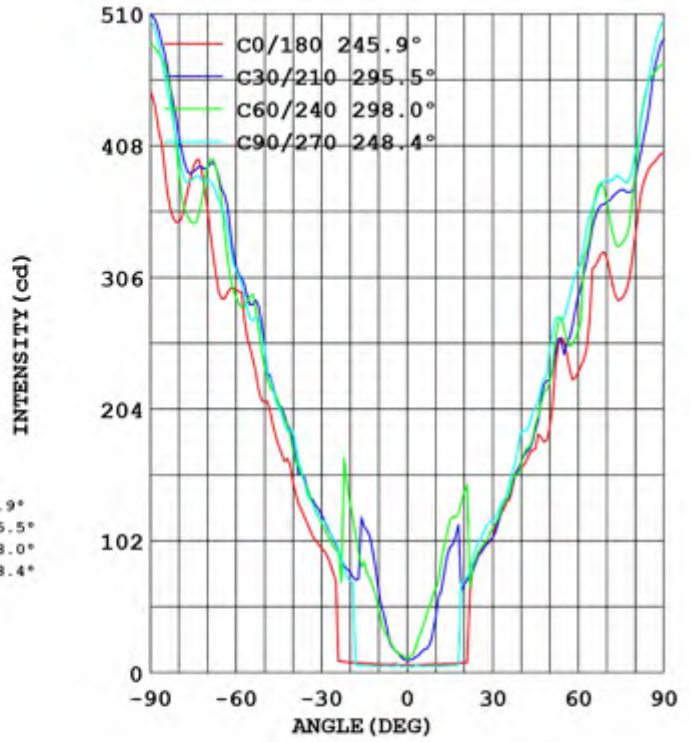
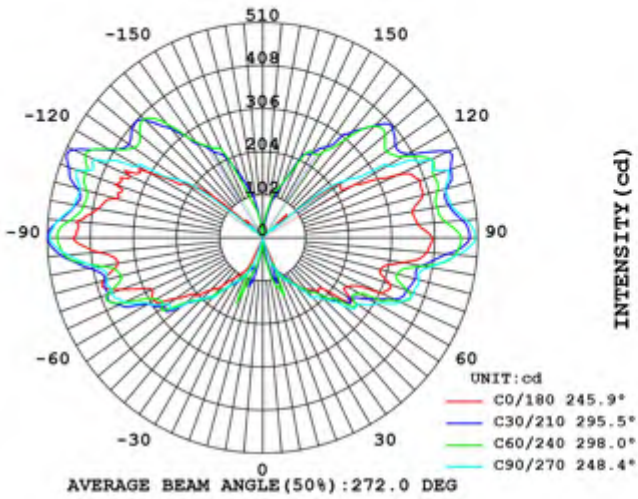
## Application

Wastewater treatment, oil and gas refineries, drilling rigs, petrochemical facilities, food and beverage facilities, tunnels, outdoor or indoor mounted general area lighting, and where flammable vapors, gases, ignitable dusts, fibers or flyings are present.



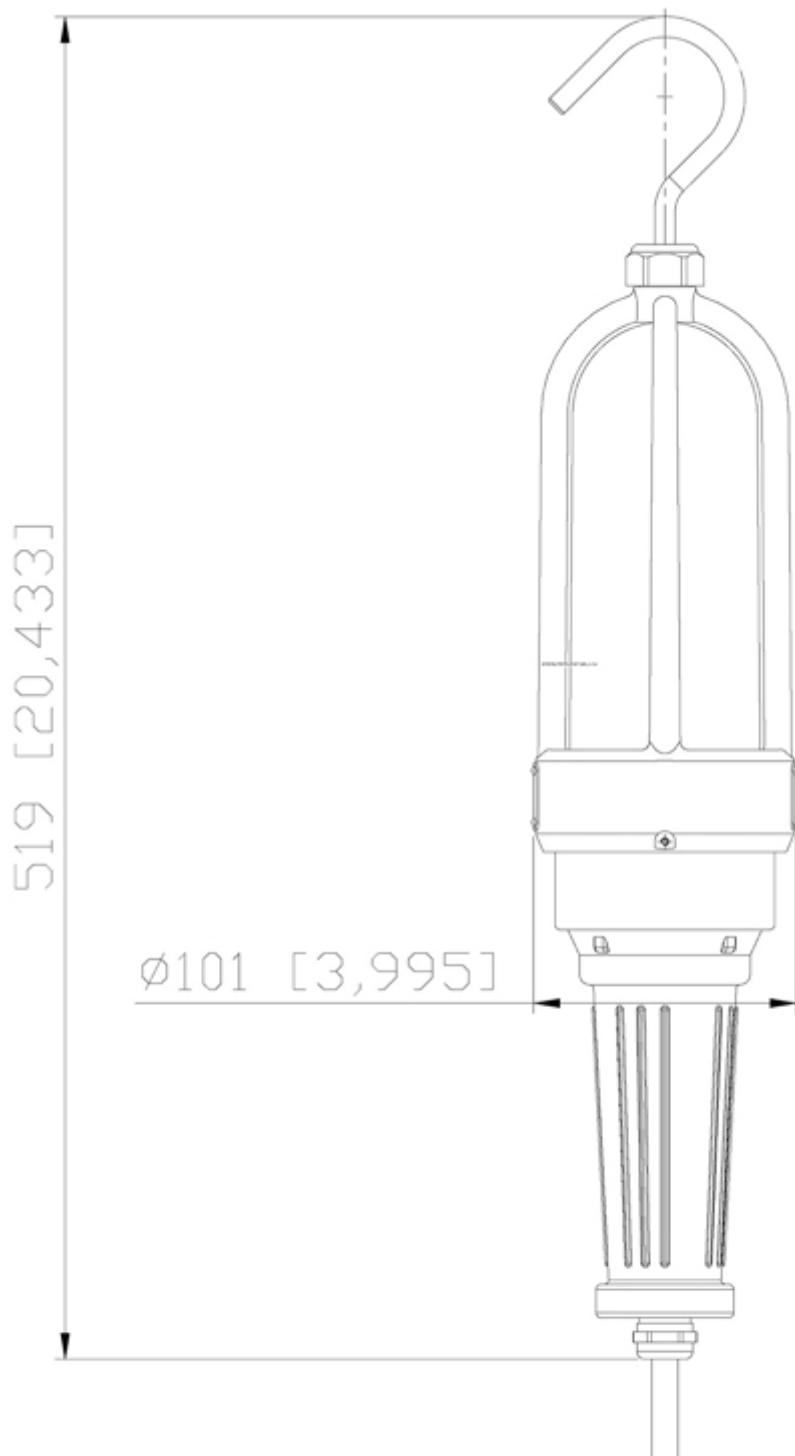
# LED Explosion Proof Handlamps

## Lighting Distribution



# LED Explosion Proof Handlamps

## Size & Packing



Product Size	Carton Size	QTY/CTN	Net Weight	Gross Weight
$\varnothing 101 \times 519 \text{mm} / \varnothing 3.995 \times 20.4"$	475×200×150mm / 18.7×7.9×5.9"	1	2.4KG / 5.3lbs	2.65KG / 6lbs



# LED Explosion Proof Handlamps

## Parameters

Model	ENEP-10W-12	ENEP-20W-12	ENEP-30W-12
Power	10W	20W	30W
Lumen (lm)	1300	2600	3900
Luminous Efficiency	130 lm/W		
Input Voltage	100-277VAC/12-24VDC		
Color	3000K/4000K/5000K/5700K/6500K		
Beam Angle	360°		
Power Factor	> 0.95		
THD	<10%		
Operating Temperature	-40°C ~ +50°C		
Cable	2m		
Lamp Shade	Blue		
Explosion Proof Class	ExII 2G Ex db eb IIC T6 Gb ExII 2D Ex tb IIIC T 80°C zone 1, zone 21, zone 2, zone 22 Class 1 div 1		

