



LED Explosion Proof Pendant Lights

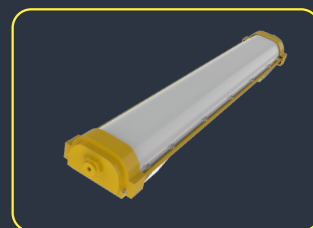
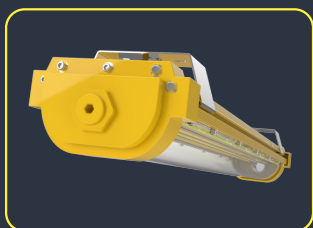


II 2 G Ex e mb IIC T6 Gc

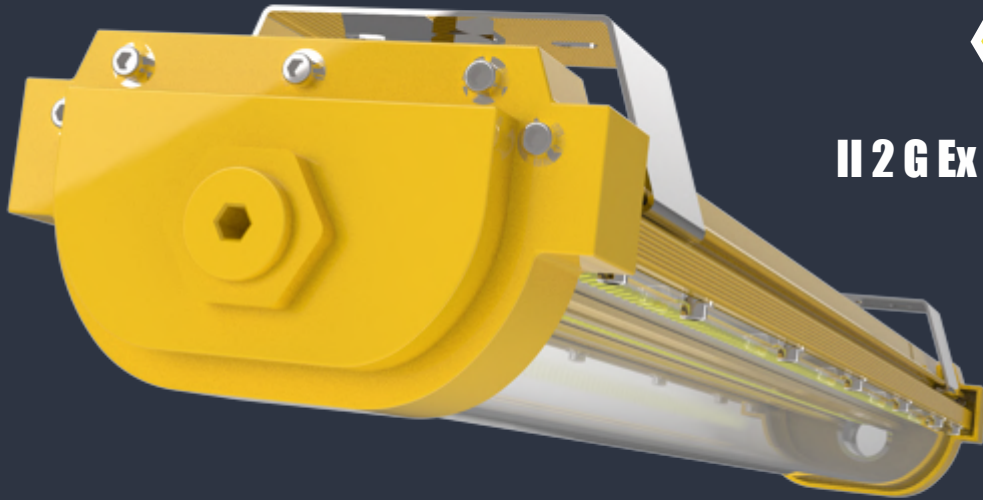
“

With ATEX certified, our explosion proof light can be widely used for applications of flammable and explosive chemical materials. Bridgelux led and specially designed driver are used to guarantee safety and long lifetime.

”

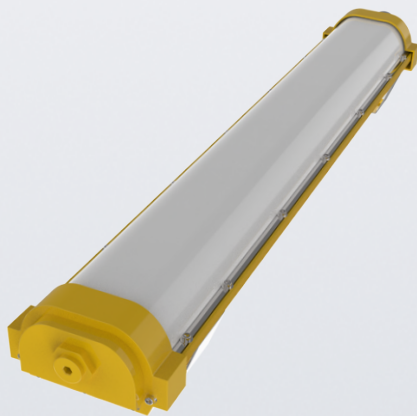


Atex Certified



II 2 G Ex e mb IIC T6 Gc

With ATEX certified, our explosion proof light fixture can be widely used for place of flammable and explosive chemical materials. Bridgelux brand led and specially designed high quality driver are used to guarantee safety and long lifespan. With 120lm/w high efficiency, our 40w can replace 120w traditional fixture. We give 5 years warranty



Design Patent

Aluminum housing
High thermal conductivity
Low lumen decay, L70=50,000hours
Impact test IK10
Waterproof IP66

ENELTEC[®]
brighten your ideas



Features

1. Increased safety type of explosion proof grade, 95-265V alternating current and 24V direct current for option;
2. Integrated type of tube, adopt SMD LED on aluminum base, make aluminum base completely attached to heat sink which composed of lamp body to make sure excellent heat dissipation, lead to long lifetime.
3. Adopt silicon encapsulated sealed power supply whose body made of aluminum alloy, put it inside of aluminum body and closed attached to heat sink to make sure heat dissipated from power supply.
4. Cover made of high quality PC which enjoy high-strength, impact resistant, hot resistant, corrosion-resistant.
5. Completely sealed to waterproof, dust-proof, corrosion-resistant.
6. Smart appearance, equip with two mounting brackets, it can be installed easily.

Standard

The drawings, technical documents and the samples are verified and certified according to stands for safety as below:

EN60079-0-2010 explosive atmospheres Part 1: Equipment-General requirements

EN60079-0-2010 explosive atmospheres Part 3: Equipment protection by increased safety "e"

EN60079-18-2004 Electrical apparatus for explosive gas atmosphere 9:Encapsulation

Features

Applied to oil fields, oil refineries, offshore oil platform, power plants, gas stations, oil tanks, wharf, tunnel, pumping station, substation, the military base, etc. Zone I and Zone II Hazardous Locations, Zone 20, Zone 21, Zone 22 and II A, IIB, IIC explosive gas atmosphere.

Mark

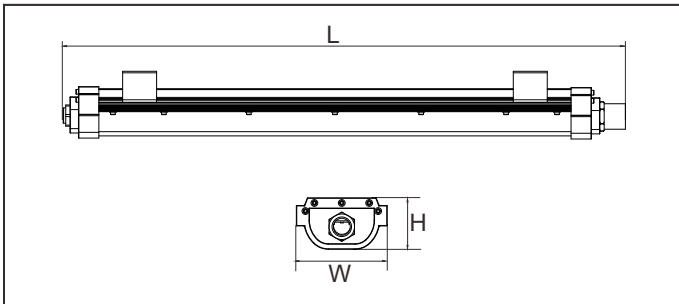
II 2 G Ex e mb IIC T6 Gc





Features

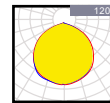
Housing: Pure Aluminum A6063
 Thermal Conductivity: 226 W/m·K
 Led: Bridgelux
 CRI: Ra>80
 SDCM: <6
 Power Factor: >0.95
 THD: <15
 Driver: Explosion Proof Driver
 Driver Efficiency: >92%
 Protection: OTP, OCP, OVP, SCP
 Surge Protection: 4KV
 Waterproof: IP66
 Impact Test: IK08
 Corrosion Proof: WF2
 Electrical: 100-277V, 50/60Hz
 Operating Temperature: -30~50
 TM21: L90B10>50,000H
 Lifetime: 50,000H



Functions

0/1~10V

Optical options:



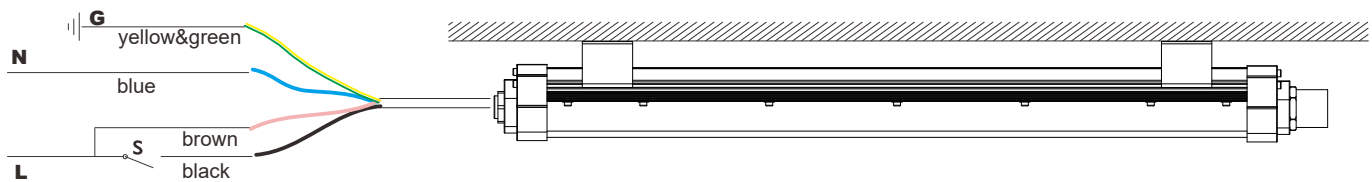
| Model | Watt | Voltage | Lumen | CRI | IP | Dimension |
|--------------|------|---------|-------|-----|------|-------------|
| ENEP-20W-03 | 20W | 100~277 | 2400 | >80 | IP66 | 662*107*61 |
| ENEP-40W-03A | 40W | 100~277 | 4800 | >80 | IP66 | 662*107*61 |
| ENEP-40W-03B | 40W | 100~277 | 4800 | >80 | IP66 | 1262*107*61 |
| ENEP-60W-03 | 60W | 100~277 | 7200 | >80 | IP66 | 1262*107*61 |
| ENEP-80W-03 | 80W | 100~277 | 9600 | >80 | IP66 | 1262*107*61 |



Emergency

| Model | Power | Emergency Power | Emergency Brightness | Emergency Time |
|--------------|-------|-----------------|----------------------|----------------|
| ENEP-20W-03 | 20W | 3W | 360lm | 2/3 Hours |
| ENEP-40W-03A | 40W | 6W | 720lm | 2/3 Hours |
| ENEP-40W-03B | 40W | 6W | 720lm | 2/3 Hours |
| ENEP-60W-03 | 60W | 9W | 1080lm | 2/3 Hours |
| ENEP-80W-03 | 80W | 12W | 1440lm | 2/3 Hours |

Wire Connection

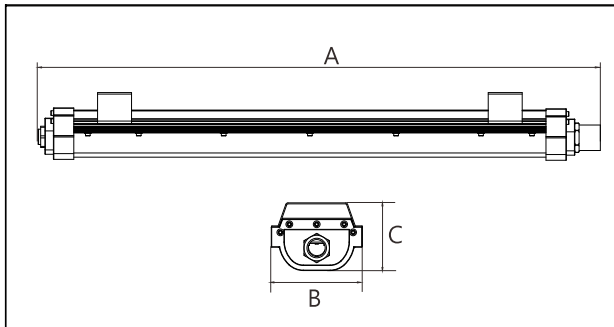


Blue--neutral wire N. Brown-Live wire L. Black--switch wire.
 Yellow/Green--Ground wire.

Wall switch can be connected by Blue Wire and Black wire to control main lights
 Blue and Brown wire are for emergency battery charging. Should connect to the power without any switch.



Packing



| Model | A*B (mm) | Inner Carton(mm) | | | QTY / INNER CTN | Outer Carton(mm) | | | QTY / Outer CTN | NW/CTN | GW/CTN |
|--------------|-------------|------------------|---|---|--------------------|------------------|-----|-----|--------------------|--------|--------|
| ENEP-20W-03 | 662*107*61 | / | / | / | / | 810 | 160 | 110 | 1 | 2.3 | 3 |
| ENEP-40W-03A | 662*107*61 | / | / | / | / | 810 | 160 | 110 | 1 | 2.4 | 3.05 |
| ENEP-40W-03B | 1262*107*61 | / | / | / | / | 1310 | 165 | 110 | 1 | 4.4 | 5.1 |
| ENEP-60W-03 | 1262*107*61 | / | / | / | / | 1310 | 165 | 110 | 1 | 4.4 | 5.1 |
| ENEP-80W-03 | 1262*107*61 | / | / | / | / | 1310 | 165 | 110 | 1 | 5 | 5.5 |

Installation

- Punch in the wall and install the suspension rope on the wall.
- Lock the rope on the triproof light hanging ring.
- Connect the blue wire and brown wire to the "N" and "L" respectively, yellow-green wire to the ground wire. Confirm correct connection, and switch power on.

