

Widely used to oil exploitation, oil refining, chemical industry, military industry, offshore oil platform, oil carrier and other hazardous environment.

- Apply to Explosive gas environment, zone1 zone 2
- Apply to flammable dust atmosphere, zone20, zone21, zone22,
- Apply to IIA IIB IIC explosive gas environment
- Apply to T1- T6 Temperature group
- Apply to oilfield, petrochemical, drilling, chemical industry and other flammable and explosive.
- Apply to outdoor place, indoor place, workshop, warehouse etc.

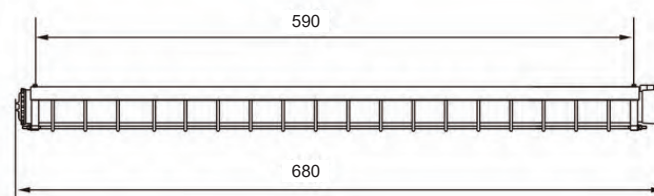
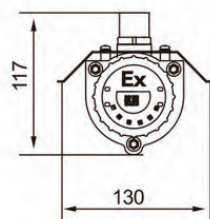
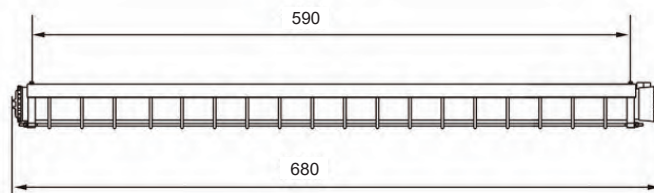
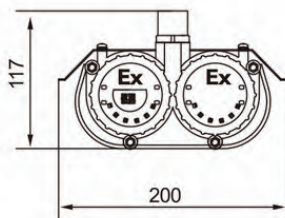


## Technical Parameters

Power	1x9W\2x9W
Light Efficiency	>130lm/W
Input Voltage	AC220V (85~265V)
Frequency	50/60Hz
Led chips	Cree
Working Life	50000hours
Power Factor	PF>0.95
Environment temperature	-55°C~+60°C
Explosion-proof marks	Ex demb II C T6 Gb
IP rating	IP54
Anti-corrosion grade	WF1
Entry	G1/2 introduces mouth specification, suitable $\phi 6\text{mm} - \phi 10\text{mm}$ cable
Installation mode	suction top type, wall type, embedded
Packing Dimension	740*215*210mm/740*215*210mm/2pcs
Weight	3kg/6kg/2pcs

## Size

Unit:mm



Widely used to oil exploitation, oil refining, chemical industry, military industry, offshore oil platform, oil carrier and other hazardous environment.

- Apply to Explosive gas environment, zone1 zone 2
- Apply to flammable dust atmosphere, zone20, zone21, zone22,
- Apply to IIA IIB IIC explosive gas environment
- Apply to T1- T6 Temperature group
- Apply to oilfield, petrochemical, drilling, chemical industry and other flammable and explosive.
- Apply to outdoor place, indoor place, workshop, warehouse etc.

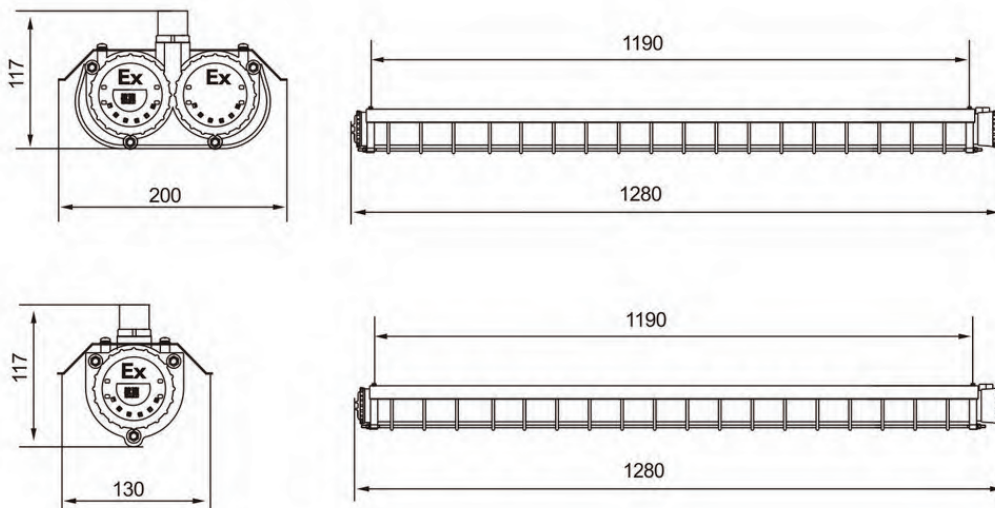


### Technical Parameters

Power	1x18W/2x18
Light Efficent	>130lm/W
Input Voltage	AC220V (85~265V)
Frequency	50/60Hz
Led chips	Cree
Working Life	50000hours
Power Factor	PF>0.95
Environment temperature	-55°C~+60°C
Explosion-proof marks	Ex demb II C T6 Gb
IP rating	IP65
Anti-corrosion grade	WF2
Entry	G1/2 introduces mouth specification, suitable $\phi$ 6mm - $\phi$ 10mm cable
Installation mode	suction top type, wall type, embedded
Packing Dimension	1310*200*200mm/1310*200*200mm/2pcs
Weight	6kg/12kg/2pcs

### Size

Unit:mm



Installation

