



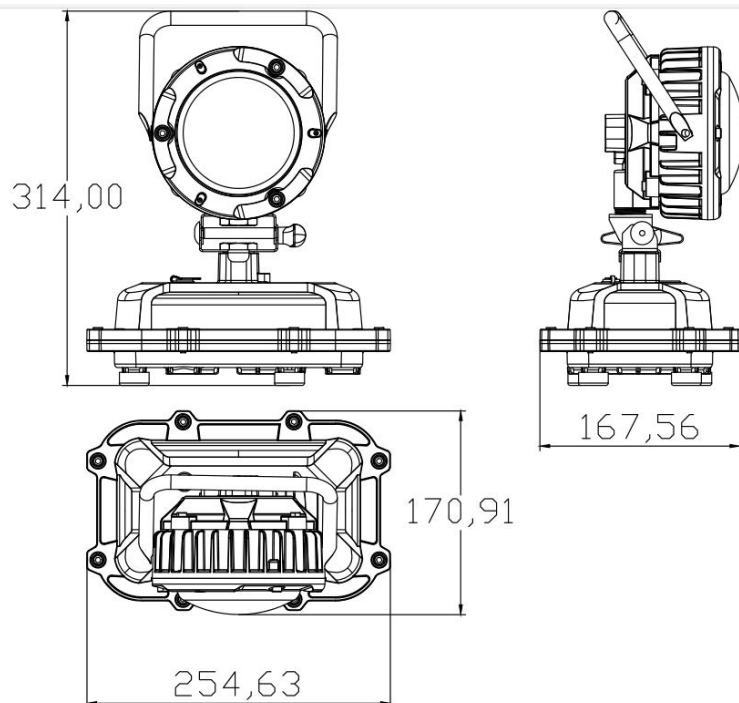
Mobile LED Explosion Proof Work Light



www.eneltec-led.com | sales@eneltec-led.com

I. Application scenario

The explosion proof work light is Ex de IIB T6, suitable for IIA, IIB, IIC explosive gas environment and various inflammable and explosive occasions, mainly used in railway, electric power, metallurgy, petroleum, petrochemical, chemical, steel, aviation, ship and efficient lighting in factories, stations, large facilities, venues and other places.



II. Features

This product is a portable multi-purpose emergency maintenance lighting product. It has a wide range of uniform illumination and is suitable for large-scale team work.

The self-discharge rate of lithium battery pack has large capacity and high energy.

The lamp body is made of die casting aluminium alloy, and the surface is sprayed with high voltage electrostatic. The exposed fasteners are stainless steel with high anti-corrosion.

Adopting high-intensity transparent shield, impact-resistant, unique anti-glare design and optical reflector, it has the characteristics of high light efficiency and low light attenuation.

The explosion-proof structure designed in accordance with the national standard GB3836 document. It has reliable explosion-proof performance, long life, special constant current power supply, and low power consumption. It adopts high temperature and aging resistant silica gel sealing ring with high protection grade.

Using the CREE brand of light source chip, it is unidirectional luminescence, no side light, high light utilization rate, high light efficiency, high display finger, open and short circuit, and overheat protection function to ensure the reliable and continuous operation of the light source.

Unique heat dissipation design, reliable heat dissipation performance, to ensure the long life and reliable use of lamps.

GAS - Certified for zone 1 and 2



DUST - Certified for zone 21 and 22



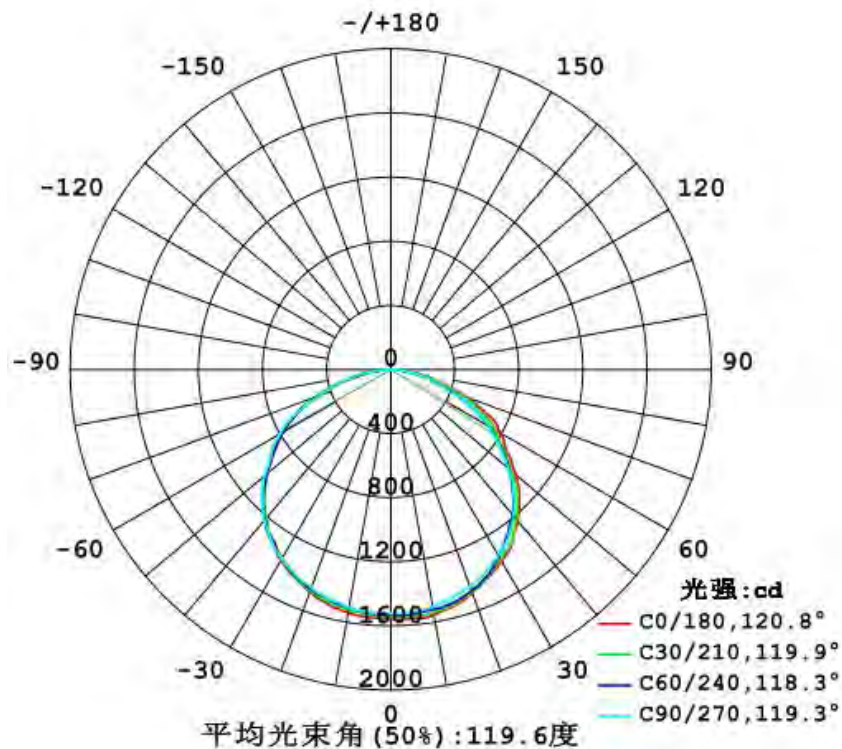
Mobile Ex-Proof Work Light

III. Date Sheet

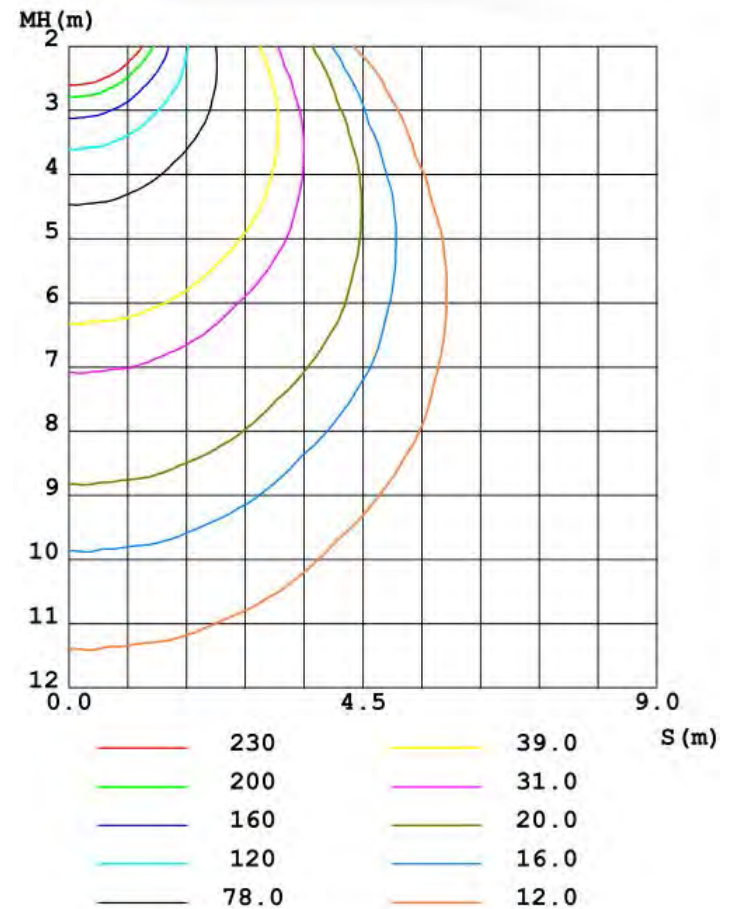
Item	Symbol	Description	Unit
Voltage	VOLT	DC14.4V	V
Power	P	30	W
Protection Level	IP	IP65	IP
Lighting Angle	θ	45 ° /60° /90° /120°	°
LED Qty	/	30	PCS
LED Chip	/	CREE3030	/
Anti-corrosion Grade	/	WF2	/
Explosion-proof Grade		Ex de IIB T6	/
Battery Capacity	/	7.5	Ah
Working Time	/	4 H	hour
Light Efficiency	η	120	Lm/W
Power Factor	PF	>0.95	PF
Operating Temperature	TOPR	-30~50	°C
Storage Temperature	TOPR	-30~50	°C
Color Temperature	TC	3000-6500	K
Color Rendering Index	CRI	≥ 70	RA
LED'S Operating Life	LIFE	100000	Hours
Start-up Time	T	≤ 0.2	S
Executive Standard	/	GB3836.1、 GB3836.2	/
Weight	/	3.4	KG
Size	/	255*167*314	mm

IV. Test Report

Light Distribution Diagram



Illuminance Figure



V. Package



Package Method	Size	Weight
Outer Box	34.7*30.7*24.7CM	4.5KG
Pearl Cotton	32.5*29*9 CM / up	N.M
	32.5*29*12 CM / down	N.M

VI. Caution

- 1) This lamp needs to be charged for 3.5 hours and can work for 4 hours.
- 2) When used, there is a certain temperature rise on the surface of lamps and fittings, which is a normal phenomenon.
- 3) This product can only be charged with adapters provided by our factory.
- 4) A full charge can be used within 3 months. If it is not used for a long time, please store it with full charge and replenish it every 3 months.