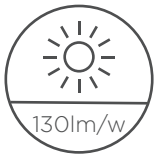


**ENELTEC**<sup>®</sup>  
brighten your ideas

# LED Bollard Light



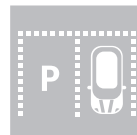


# Overview

An ideal LED bollard for entrances, walkways and most pedestrian areas where unique aesthetics and superior performance are required.



URBAN & RESIDENTIAL STREETS & ROADS



CAR PARKS



SQUARES & PEDESTRIAN AREAS



BIKE & PEDESTRIAN PATHS



SECURITY LIGHTING

# Product Features

- ◎ Lamp posts are made of high-quality aviation aluminum profiles with excellent corrosion resistance.
- ◎ Lamp cover is made of high-end anti-UV PC with good light diffusion treatment to make the light more transparent and soft.
- ◎ The unique Light-emitting design ensures uniform 360-degree lighting without dark areas.
- ◎ Using high-brightness LEDs and drivers from top brands enhances the lamp's overall quality.
- ◎ Multiple color temperature options meet different lighting needs for lawns, concrete, and asphalt roads.
- ◎ 5 years warranty.



Bolite provides uniform 360-degree illumination. It can be a striking feature on its own or in combination with others. This vibrant beacon enhances urban spaces like streets, roads, and public areas, marking these spaces with a prominent display of light.

# RGB COLOUR



LED bollard light that offers ultimate customization, with RGB illumination available as an optional feature. Known for its ability to transform public and architectural spaces with its vibrant and dynamic colours, Bolite RGB version can be individually addressed for precise control with DMX/RDM protocol.



## RGB FULL COLOUR



## White Color Version

Model No	ENFL-20W-04	ENFL-30W-04	ENFL-40W-04	ENFL-50W-04
Nominal Wattage	20W	30W	40W	50W
Efficiency	130 lm/w	130 lm/w	130 lm/w	130 lm/w
Lumen	2600 lm	3900 lm	5200 lm	6500 lm
CCT	2700 /3000 /4000 /5000 /5700 /6500K			
CRI	Ra≥70			

## RGB Version

Model No	ENFL-20W-04RGB	ENFL-30W-04RGB	ENFL-40W-04RGB	ENFL-50W-04RGB
Nominal Wattage	20W	30W	40W	50W
LED Color	Red, Green, Blue Spectrum			
Control	Remote Control			

## RGB DMX 512 Version

Model No	ENFL-20W-04DMX	ENFL-30W-04DMX	ENFL-40W-04DMX	ENFL-50W-04DMX
Nominal Wattage	20W	30W	40W	50W
LED Color	Red, Green, Blue Spectrum			
Control	DMX512			

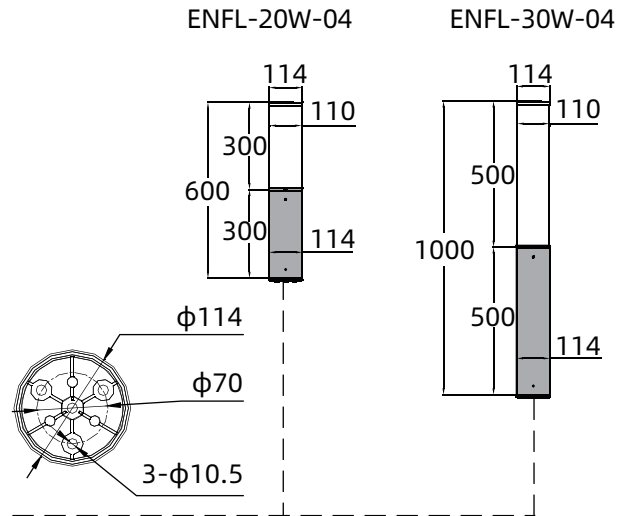
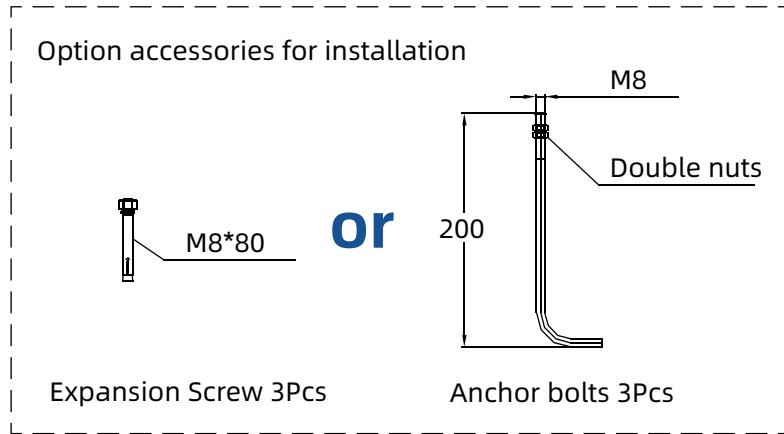
## General Data

Nominal Voltage	100-240/277VAC, 50/60Hz			
LED	SMD 3030			
Driver	INVENTRONICS or others on request			
PF	≥0.95			
Lifespan	L70 >100,000hrs			
Lamp Cover Material	Light Diffusion Anti-UV PC			
Base Material	Aluminum Alloy			
Protection Class	CLASS I			
SPD	10KV			
IP	IP65			
IK	IK08			
Working Environment	-40°C ~ +50°C, 10% ~ 90%RH			
Fixture Size (mm)	Φ114 x600	Φ114 x1000	Φ114 x2000	Φ114 x3000
Packing Size (mm)	890 x135 x135	1290 x135 x135	1290 x135 x135(Lamp)	1480 x135 x135(Lamp)
			1100 x200 x200(Base)	1900 x200 x200(Base)
Packing Type	1unit /ctn	1unit /ctn	1unit /2ctns	1unit /2ctns
Net Weight (Kgs)	2.65	3.5	6.0	8.8
Gross Weight (Kgs)	3.0	4.3	7.7	10.7

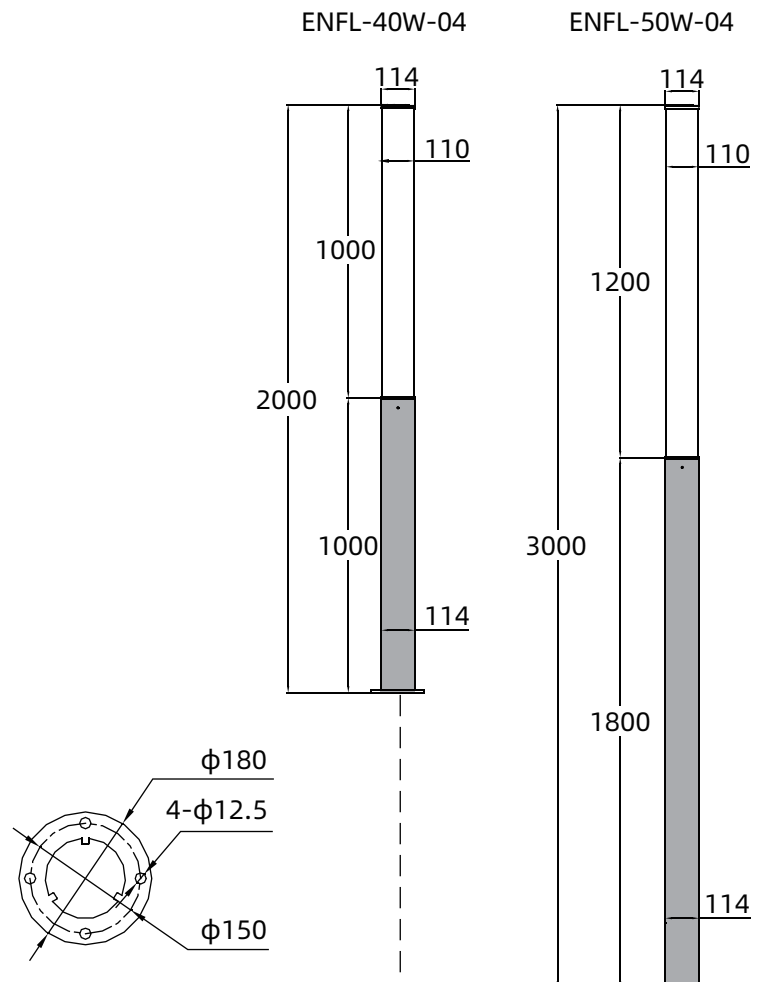
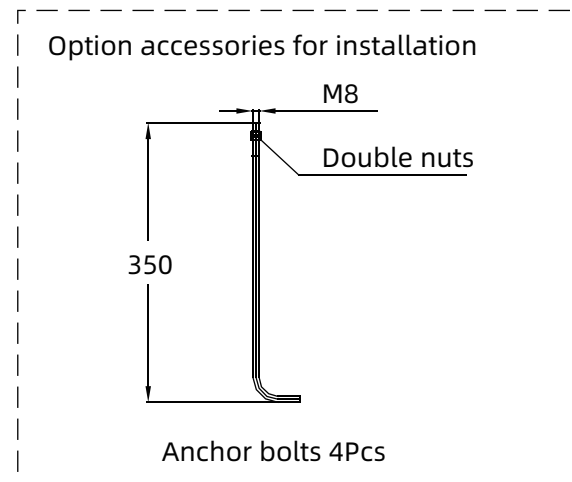
Lamp

Base

**Dimension:**



Product dimension: mm



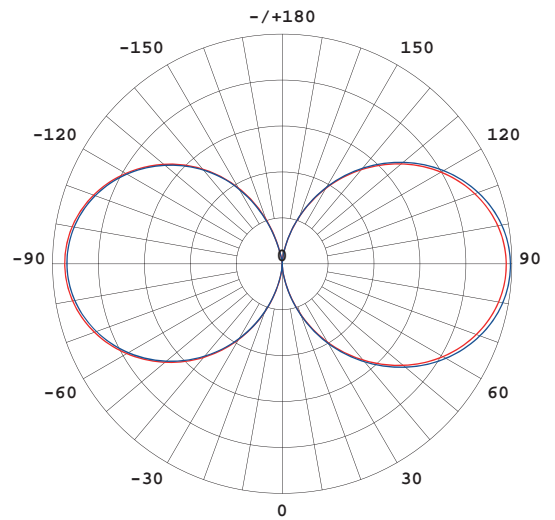
Product dimension: mm

### Unique Design



Mountain-inspired Relief Design

### Light Distributions



RBL130001

CREATE  
DISTINCTIVE  
EFFECTS

