

LED Recessed Panel



Product Features

- Aluminum anodic oxidation;
- Corrosion proof;
- Ultra slim, 10mm thickness;
- Environment friendly, no lead, mercury.



WEAR-RESISTANT



ANTI-DUST



LED Chips Spec

- LED Brand: Sanan
- Light Degradation: < 5% in 20,000 hours
- Light Efficiency: 90lm/W

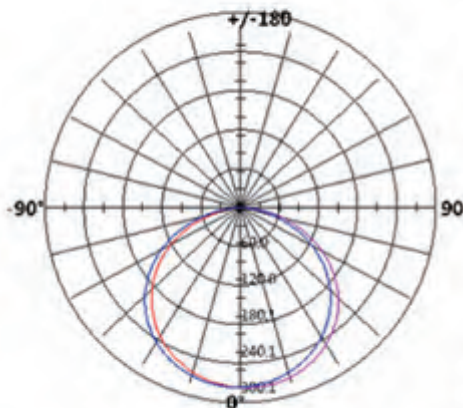


SMD2835



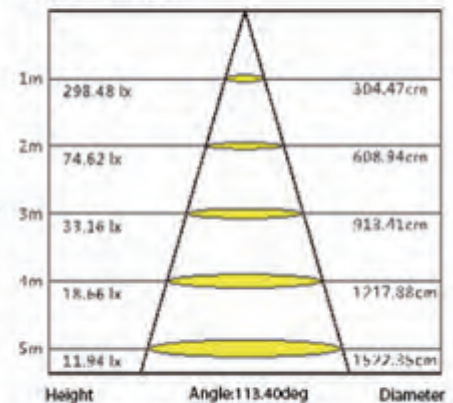
CRI ≥ 80

make the light similar as the sunshine.



AVRAGE BEAM ANGLE(50%):113.40DEG

Lux-Distance Curve



Note:The Curve indicate the illuminated area and the average illumination when the luminaire is at different distance.

LED Driver Spec

- Stable, safe and reliable performance;
- Isolation protection;
- Smart IC.



Flicking
Free



50,000+
hours



Integrated
Circuit

Application Areas

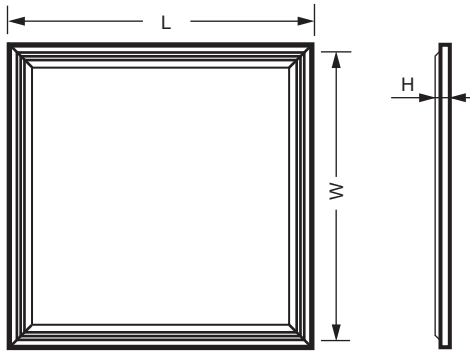
Application areas:

Suitable for The hotel | office | office buildings |
shopping malls | supermarkets | supermarkets |
exhibition halls and other large
The use of advanced business places

[Learn more >](#)

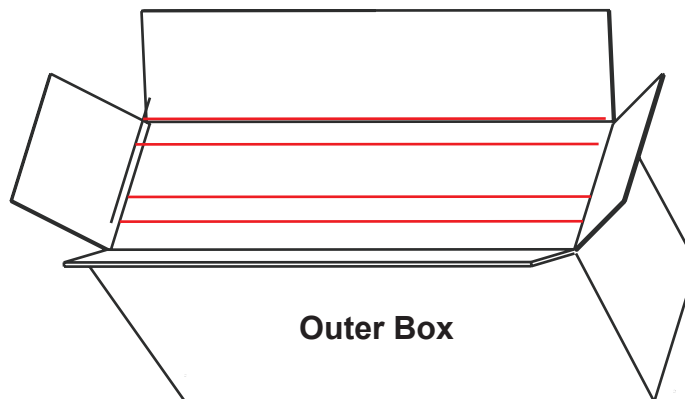


Dimensions



Model	Dimension (mm)		
	L	W	H
ENPL-3030	300.0	300.0	11.8
ENPL-3060	600.0	300.0	11.8
ENPL-6060	600.0	600.0	11.8
ENPL-30120	1200.0	300.0	11.8
ENPL-60120	1200.0	600.0	11.8

Packing

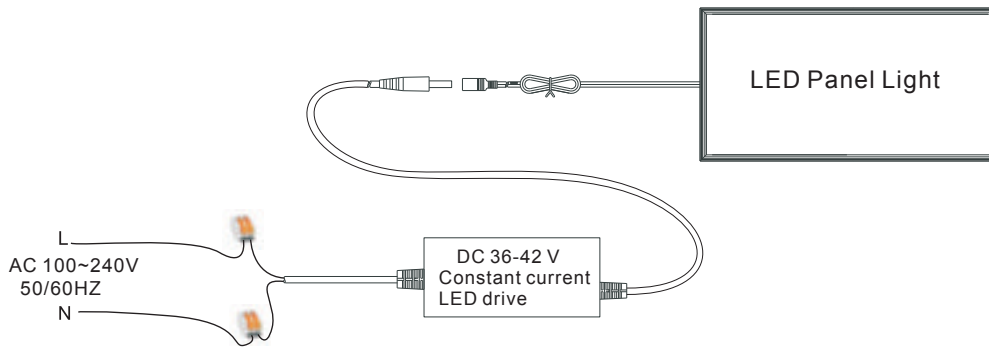


Model	Quantity	Packing Dimension (cm)	Net Weight /Gross Weight (Kgs)
ENPL-3030	20PCS	63.5*33.5*40	12.8/14.0
ENPL-3060	10PCS	63.5*32.5*40	7.2/7.8
ENPL-6060	10PCS	64.5*64.5*35.5	12.8/14.0
ENPL-30120	10PCS	125.5*34.5*34.5	14.4/15.6
ENPL-60120	6PCS	125.5*65*23	25.6/28.0

Data

Model No.	Input Voltage	Power	Lumen (Lm)	Color	LED	Beam Angle	Material	CRI	IP Rating
ENPL-E3030-19W-01A	160-265VAC	19W	1520	3000K/ 4000K/ 6500K	Sanan SMD2835	120°	Iron bottom+PS diffuser+Aluminum frame	>80	IP20
ENPL-E3030-19W-01B	85-265VAC	19W	1520	3000K/ 4000K/ 6500K	Sanan SMD2835	120°	Iron bottom+PS diffuser+Aluminum frame	>80	IP20
ENPL-E3060-38W-01A	160-265VAC	38W	3040	3000K/ 4000K/ 6500K	Sanan SMD2835	120°	Iron bottom+PS diffuser+Aluminum frame	>80	IP20
ENPL-E3060-38W-01B	85-265VAC	38W	3040	3000K/ 4000K/ 6500K	Sanan SMD2835	120°	Iron bottom+PS diffuser+Aluminum frame	>80	IP20
ENPL-E6060-58W-01A	160-265VAC	58W	5220	3000K/ 4000K/ 6500K	Sanan SMD2835	120°	Iron bottom+PS diffuser+Aluminum frame	>80	IP20
ENPL-E6060-58W-01B	85-265VAC	58W	5220	3000K/ 4000K/ 6500K	Sanan SMD2835	120°	Iron bottom+PS diffuser+Aluminum frame	>80	IP20
ENPL-E30120-60W-01A	160-265VAC	60W	4800	3000K/ 4000K/ 6500K	Sanan SMD2835	120°	Iron bottom+PS diffuser+Aluminum frame	>80	IP20
ENPL-E30120-60W-01B	85-265VAC	60W	4800	3000K/ 4000K/ 6500K	Sanan SMD2835	120°	Iron bottom+PS diffuser+Aluminum frame	>80	IP20
ENPL-E60120-100W-01A	160-265VAC	100W	9000	3000K/ 4000K/ 6500K	Sanan SMD2835	120°	Iron bottom+PS diffuser+Aluminum frame	>80	IP20
ENPL-E60120-100W-01B	85-265VAC	100W	9000	3000K/ 4000K/ 6500K	Sanan SMD2835	120°	Iron bottom+PS diffuser+Aluminum frame	>80	IP20

Electrical Connection



Installation Instructions

1	2	3
<p>Schematic diagram for ceiling installation</p> <p>1. Mounting the ceiling bracket to ceiling</p> <p>2. Mounting the short bracket</p> <p>3. Hang up the panel to the wall bracket, fix both use the screws</p>	<p>Schematic diagram for embedded installation</p> <p>1. Move away ceiling plaster slab, then arrange the wire.</p> <p>2. Connect the power.</p> <p>4. Fix the panel light to suitable place.</p>	<p>Schematic diagram for vertical installation</p> <p>1. Install the hanging fixed block in order</p> <p>2. Mounting the short bracket</p> <p>3. Fix the rope on suitable height by using lifter</p>

Notice

1. Please read the specification first, to make sure the service environment matches the condition in the specification before using.
2. Please confirm the applicable power supply before using.
3. Make sure the switch of product is off before connect to the power supply to prevent electric shock.
4. Operation against rules may damage your property even harm to your personal safety.
5. Preliminarily estimate required quantity of LED panel lights, then according to the power rating of single panel light to figure out the total power and design power supply plan.
6. Dangerous high voltage, Non-professionals are not allowed to maintain the products.
7. If the exterior flexible cable or wire is damaged, it must exchange by the supplier, its agent or other similar qualified personnels to avoid dangers.