

Ultra Slim LED Panels



Product Features

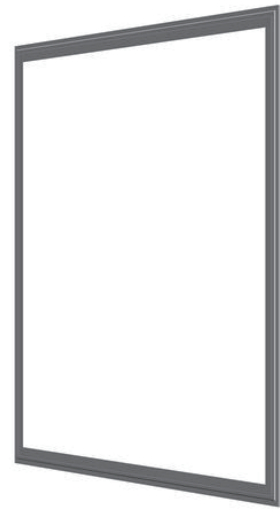
- Aluminum anodic oxidation;
- Corrosion proof;
- Ultra slim, 10mm thickness;
- Environment friendly, no lead, mercury.



WEAR-RESISTANT



ANTI-DUST



LED Chips Spec

- LED Brand: Hongli/Sanan
- Light Degradation: < 5% in 20,000 hours
- Light Efficiency: 100lm/W



Ra≥80

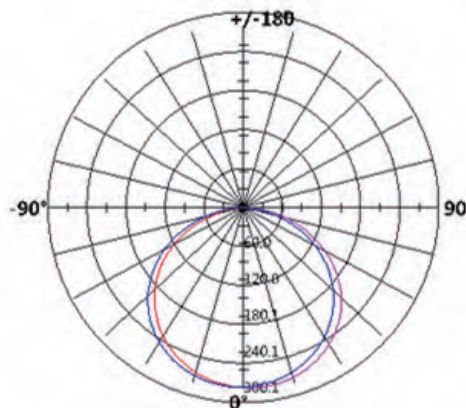


SMD2835



CRI≥80

make the light similar as the sunshine.



AVRAGE BEAM ANGLE(50%):113.40DEG

Lux-Distance Curve

Height	Angle:113.40deg	Diameter
1m	298.48 lx	304.47cm
2m	74.62 lx	608.94cm
3m	33.16 lx	913.41cm
4m	18.66 lx	1217.88cm
5m	11.94 lx	1522.35cm

Note:The Curve indicate the illuminated area and the average illumination when the luminaire is at different distance.

LED Driver Spec

- Stable, safe and reliable performance;
- Isolation protection;
- Smart IC.



Application Areas

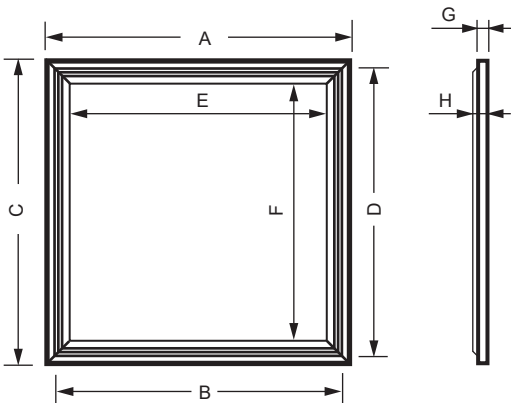
Application areas:

Suitable for The hotel | office | office buildings | shopping malls | supermarkets | supermarkets | exhibition halls and other large The use of advanced business places

[Learn more >](#)

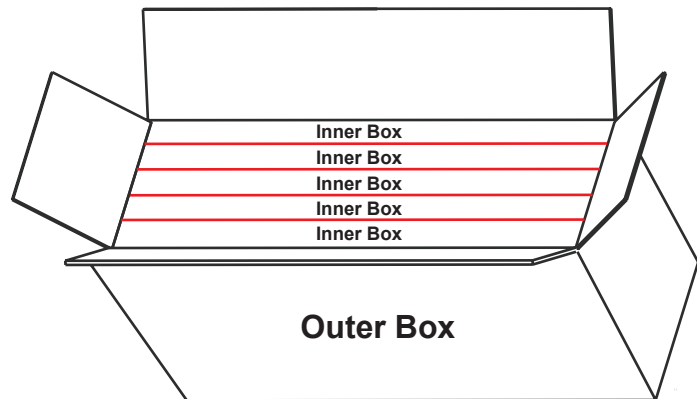
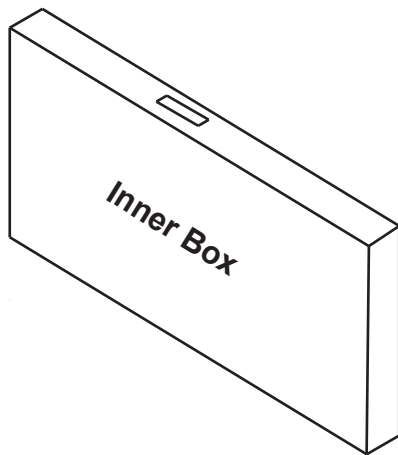


Dimensions



Model	Dimension (mm)							
	A	B	C	D	E	F	G	H
ENPL-3030	295.0	282.2	295.0	282.2	250.0	250.0	9.0	10.0
ENPL-3060	595.0	582.2	295.0	282.2	550.0	250.0	9.0	10.0
ENPL-6060	595.0	582.2	595.0	582.2	550.0	550.0	9.0	10.0
ENPL-6262	615.0	602.2	615.0	602.2	570.0	570.0	9.0	10.0
ENPL-30120	1195.0	1182.2	295.0	282.2	1150.0	250.0	9.0	10.0
ENPL-60120	1195.0	1182.2	595.0	582.2	1150.0	550.0	9.0	10.0

Packing

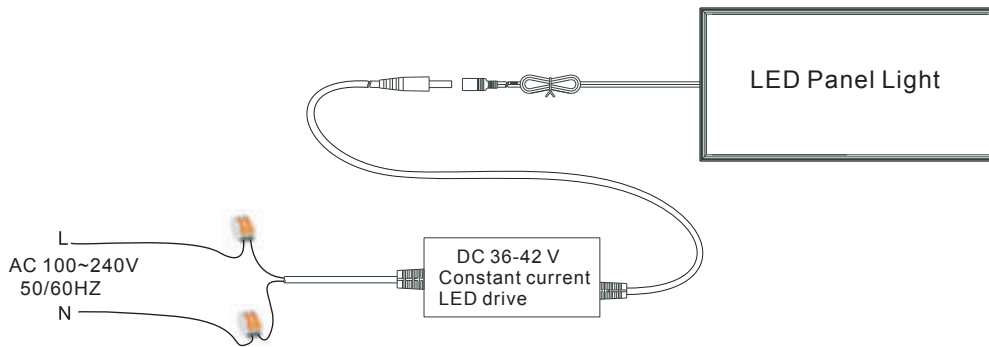


No.	Model	Quantity	Packing Dimension (cm)	Net Weight /Gross Weight (Kgs)
1	ENPL-3030	5PCS	41*41*25	7.9/8.8
2	ENPL-3060	5PCS	41*71*25	9.9/11.0
3	ENPL-6060	5PCS	71*71*25	18.0/20.0
3	ENPL-6262	5PCS	71*71*25	18.9/21.0
4	ENPL-30120	5PCS	41*131*25	18.9/21.0
5	ENPL-60120	2PCS	71*131*25	18.0/20.0

Data

Model No.	Input Voltage	Power	Lumen (Lm)	PF	LED	Beam Angle	Color	CRI	IP Rating
ENPL-3030-18W-02E	100-240VAC	18W	1500	>0.9	Hongli96pcs SMD2835	120°	3000-3500K/4000-4500K/5000-5500K/6000-6500K	>80	IP20
ENPL-3060-18W-02E	100-240VAC	18W	1500	>0.9	Hongli96pcs SMD2835	120°	3000-3500K/4000-4500K/5000-5500K/6000-6500K	>80	IP20
ENPL-3060-36W-02E	100-240VAC	36W	3000	>0.9	Hongli192pcs SMD2835	120°	3000-3500K/4000-4500K/5000-5500K/6000-6500K	>80	IP20
ENPL-6060-36W-01E	100-240VAC	36W	2800	>0.9	Sanan216pcs SMD2835	120°	3000-3500K/4000-4500K/5000-5500K/6000-6500K	>80	IP20
ENPL-6060-48W-01E	100-240VAC	48W	3800	>0.9	Sanan240pcs SMD2835	120°	3000-3500K/4000-4500K/5000-5500K/6000-6500K	>80	IP20
ENPL-6060-54W-02E	100-240VAC	54W	4500	>0.9	Hongli288pcs SMD2835	120°	3000-3500K/4000-4500K/5000-5500K/6000-6500K	>80	IP20
ENPL-6060-72W-02E	100-240VAC	72W	5500	>0.9	Hongli384pcs SMD2835	120°	3000-3500K/4000-4500K/5000-5500K/6000-6500K	>80	IP20
ENPL-6262-36W-01E	100-240VAC	36W	2800	>0.9	Sanan216pcs SMD2835	120°	3000-3500K/4000-4500K/5000-5500K/6000-6500K	>80	IP20
ENPL-6262-48W-01E	100-240VAC	48W	3800	>0.9	Sanan240pcs SMD2835	120°	3000-3500K/4000-4500K/5000-5500K/6000-6500K	>80	IP20
ENPL-6262-54W-02E	100-240VAC	54W	4500	>0.9	Hongli288pcs SMD2835	120°	3000-3500K/4000-4500K/5000-5500K/6000-6500K	>80	IP20
ENPL-6262-72W-02E	100-240VAC	72W	5500	>0.9	Hongli384pcs SMD2835	120°	3000-3500K/4000-4500K/5000-5500K/6000-6500K	>80	IP20
ENPL-30120-36W-01E	100-240VAC	36W	2800	>0.9	Sanan216pcs SMD2835	120°	3000-3500K/4000-4500K/5000-5500K/6000-6500K	>80	IP20
ENPL-30120-48W-01E	100-240VAC	48W	3800	>0.9	Sanan240pcs SMD2835	120°	3000-3500K/4000-4500K/5000-5500K/6000-6500K	>80	IP20
ENPL-30120-54W-02E	100-240VAC	54W	4500	>0.9	Hongli288pcs SMD2835	120°	3000-3500K/4000-4500K/5000-5500K/6000-6500K	>80	IP20
ENPL-30120-72W-02E	100-240VAC	72W	5500	>0.9	Hongli384pcs SMD2835	120°	3000-3500K/4000-4500K/5000-5500K/6000-6500K	>80	IP20
ENPL-60120-54W-02E	100-240VAC	54W	4500	>0.9	Hongli288pcs SMD2835	120°	3000-3500K/4000-4500K/5000-5500K/6000-6500K	>80	IP20
ENPL-60120-72W-02E	100-240VAC	72W	5500	>0.9	Hongli384pcs SMD2835	120°	3000-3500K/4000-4500K/5000-5500K/6000-6500K	>80	IP20

Electrical Connection



Installation Instructions

1	2	3
<p>Schematic diagram for ceiling installation</p> <p>1. Mounting the ceiling bracket to ceiling</p> <p>2. Mounting the short bracket</p> <p>3. Hang up the panel to the wall bracket, fix both use the screws</p>	<p>Schematic diagram for embedded installation</p> <p>1. Move away ceiling plaster slab, then arrange the wire.</p> <p>2. Connect the power.</p> <p>4. Fix the panel light to suitable place.</p>	<p>Schematic diagram for vertical installation</p> <p>1. Install the hanging fixed block in order</p> <p>2. Mounting the short bracket</p> <p>3. Fix the rope on suitable height by using lifter</p>

! Notice

1. Please read the specification first, to make sure the service environment matches the condition in the specification before using.
2. Please confirm the applicable power supply before using.
3. Make sure the switch of product is off before connect to the power supply to prevent electric shock.
4. Operation against rules may damage your property even harm to your personal safety.
5. Preliminarily estimate required quantity of LED panel lights, then according to the power rating of single panel light to figure out the total power and design power supply plan.
6. Dangerous high voltage, Non-professionals are not allowed to maintain the products.
7. If the exterior flexible cable or wire is damaged, it must exchange by the supplier, its agent or other similar qualified personnels to avoid dangers.