

ENELTEC[®] brighten your ideas

TUV Listed COB LED Street Lights



Overview

An elegant new design with ENELTEC 3rd-generation module, more efficient **BRIDGELUX[®]** LED luminous source and high reliable **MEAN WELL** LED driver make the products the most cost-effective LED street light available today.

Color Options



Application

- Municipal Road
- Highway
- Public Park
- Parking Lot



Product Benefits

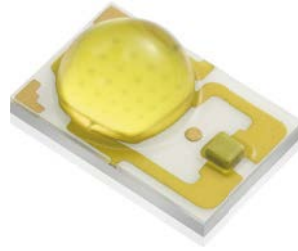


LED LUMINOUS SOURCE

ENELTEC TUV Listed COB LED Street lights are utilizing BRIDGE LED luminous source, providing excellent lumen output, long-lasting stability and splendid sight.

Each LED Luminous source owns electrostatic protection component, maximally avoid the damage of electrostatic.

More information about the BRIDGELUX and solid-state lighting technologies can be found at www.bridgelux.com.



*Superior efficacy
Leading lumen output
Ultimate design flexibility*



LED DRIVER

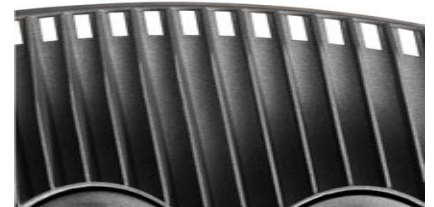
ENELTEC TUV Listed COB LED Street lights are utilizing MEAN WELL® HLG series high-end driver, great luminaire stability, lifespan and optimal performance status.

More information about the MEAN WELL® HLG series and LED driver technologies, please visit www.meanwell.com



BRAND-NEW LED HEAT SINK DESIGN

Exquisite design with powerful thermal output, with more reliable waterproof performance.



ULTRA LOW LOSS OPTIC DESIGN



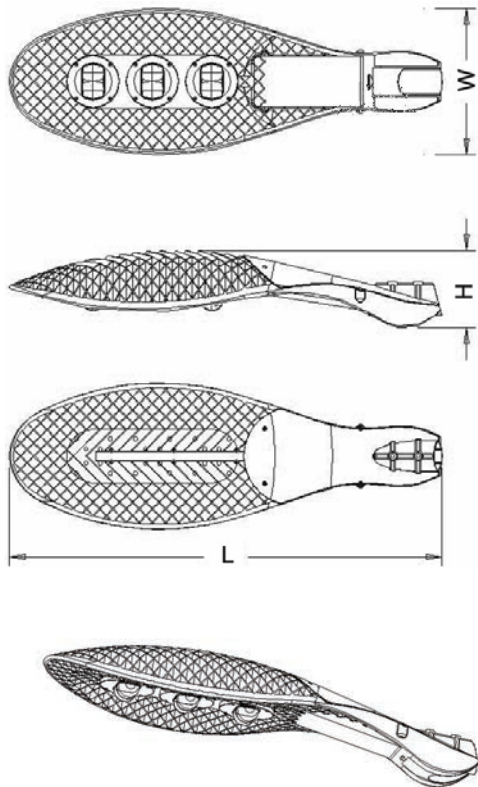
130°



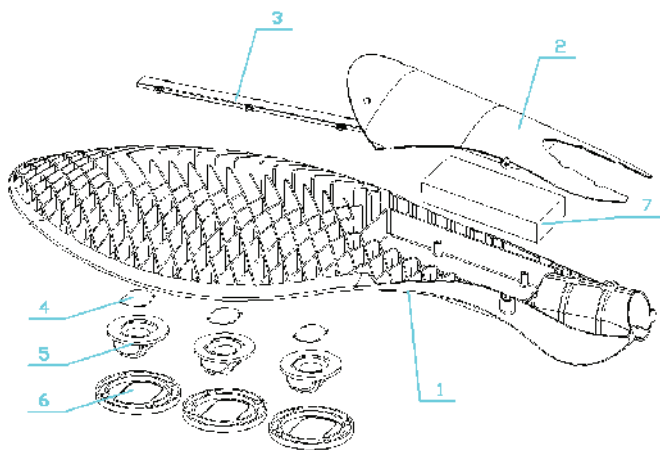
140°



Dimensions:



Model	Dimension (mm)		
	L	W	H
ENSL-30W-04	650	236	117
ENSL-40W-04	650	236	117
ENSL-50W-04	650	236	117
ENSL-60W-04	650	236	117
ENSL-80W-04	800	291	132
ENSL-100W-04	800	291	132
ENSL-120W-04	800	291	132
ENSL-150W-04	950	364	104
ENSL-180W-04	950	364	104



No.	Name
1	Lamp Body
2	Driver Cover
3	Gland
4	LED
5	Lens
6	Lens Cover
7	Driver

Data:

Model	ENSL-30W-04	ENSL-40W-04	ENSL-50W-04	ENSL-60W-04	ENSL-80W-04	ENSL-100W-04	ENSL-120W-04	ENSL-150W-04	ENSL-180W-04
LED	1x30W	1x40W	1x50W	1x60W	2x40W	2x50W	2x60W	3x50W	3x60W
Power (W)	30	40	50	60	80	100	120	150	180
Lumen (Lm)	3000	4000	5000	6000	8000	10000	12000	15000	18000
Luminous Efficacy	100lm/w								
Beam Angle	130° / 140°								
Input Voltage	90-305VAC, 50/60Hz								
PF	> 0.95								
THD	< 15%								
Power Efficiency	> 90%								
Color	2700-3500K / 3500-5500K / 5500-6500K								
CRI	≥70								
Working Environment	Temperature: -40°C~50°C Humidity: 10%~95%								
IP Rating	IP65								
Heatsink	Anodized Aluminum								
Optics lens	PC								
Working Life (Hours)	50000 hours - L ₇₀ , @25 °C								
Installation Pipe Diameter	Φ58-62mm								

Installation Instruction:

 **Caution: Always switch off the power supply before commencing work!**

1. Street lights installation

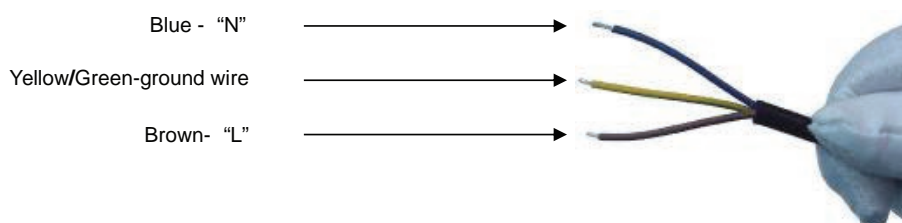


Model	Installation Height (m)
ENSL-30W-04/ ENSL-40W-04/ ENSL-50W-04/ ENSL-60W-04	5-8
ENSL-80W-04/ ENSL-100W-04/ ENSL-120W-04	8-12
ENSL-150W-04/ ENSL-180W-04	10-14

- (1) The lights slot installation: insert the lamp-post into the slot (figure E position), fasten the screw in "A, B, C, D".
- (2) Installing torque: the screw torque is 12N* M,(M10 * 30 screws for A, B, C, D).
- (3) Projection area: 0.09 m².
- (4) Elevation angle: 15°.
- (5) Installation and maintenance should operated by qualified technician.

2. Line connecting

- (1) Make sure that power has been cut off.
- (2) Connect cable of the same color between the street light and the pole. Generally, L (shorts for LIVE),stands for live wire;N(shorts for NULL),stands for null wire; E(shorts for earth),stands for earth wire.
- (3) Cable color:



- (4) Switch on the power, light up the street light.
- (5)To maintain waterproof and sealing,the street lights' assembly and disassembly should be operated by qualified technician only.
- (6)The glue inside the lamp should not be removed, otherwise it will be affects the insulation and dissipation.

Packing:

Model	ENSL-30W-04/ ENSL-40W-04/ ENSL-50W-04/ ENSL-60W-04	ENSL-80W-04/ ENSL-100W-04/ ENSL-120W-04	ENSL-150W-04/ ENSL-180W-04
Packing Method	1 unit / ctn	1 unit / ctn	1 unit / ctn
Packing Dimension (mm)	705x290x160	855x330x155	1002x397x207
Net Weight/ Gross Weight (kg)	5.3/6.2	7.8/9.0	11.6/13.4

INSTRUCTIONS

1. Please read the installation instruction very carefully before use and connection to ensure safety.
2. Please do not operate the device over marked voltage and frequency range.
3. Always switch off the power supply before commencing work!
4. Do not impact and fall the product.

AFTER-SALE SERVICE

ENELTEC warrants this hardware product against defects in materials and workmanship under normal use for a period of FIVE (5) YEAR from the date of purchase. ENELTEC provides free repair or replacement within warranty period. ENELTEC shall charge against defeats by abnormal storage, useage, connection or change the structure or any components of the product.

*Damage by thunderstroke over 4KV(L,N against FG) /2KV(L against N) will not covered by warranty based on IEC61000-4-5.

The product (LED lighting equipment, electrical , electronic equipment) should not be placed in municipal waste. Check local regulations for disposal of electronic products.

- Features and specifications are subject to change without notice.
- The product color may be different with actual due to discrepancy of camera or screen settings.