

LIGHT THE WORLD



ITEM No.: ENSL-30W-06A

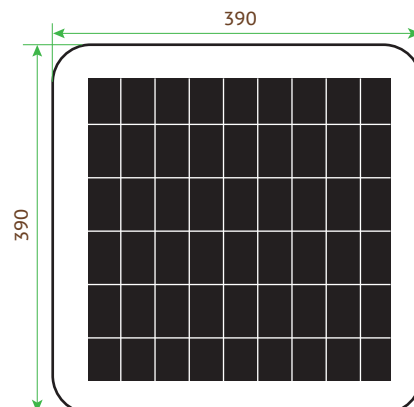
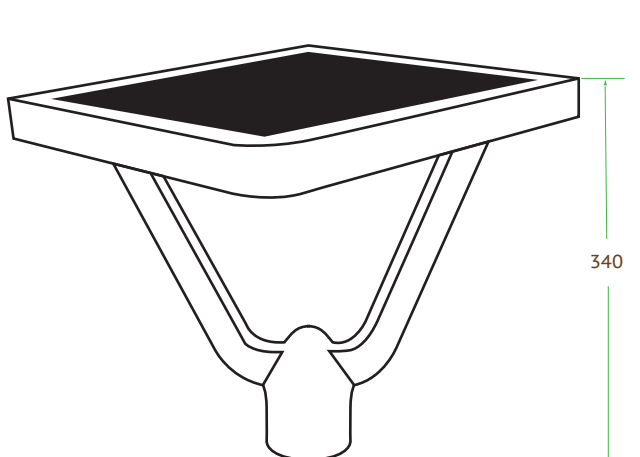
Electrical Specifications

• Led Power	30w
• IP Grade	IP65
• Solar panel life time	25years
• Solar panel Max power	5V/25W
• Working time	3-4 days
• Battert Type	3.2V/40AH lithium battery
• Charge time(by sun)	6-7hours(with enough strong shine)
• Sensor	With photocell sensor, time control
• Certification	ISO,CE,ROHS,TUV

Photometric & Packing Specifications

• Led Lamp	PHILIPS SMD 3030	• Material	Aluminum alloy
• Lumen Output	>4500LM	• Mounting height	3-5m
• LED life time	50000hours	• Working TEMP	-30°C ~ +60°C
• Bame Angle	120°	• G.W	6.5kg
• CCT	2700-6500k	• Unit size	W395*H340mm
• CRI	>80	• Carton size	43*43*36CM
• Warranty period	3 years	• QTY/CTN	1 set/ ctn

Product size(unit:mm)



— LIGHT THE WORLD —



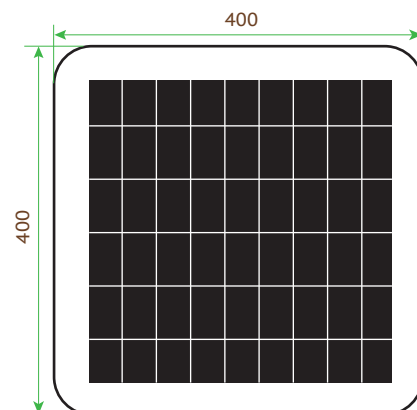
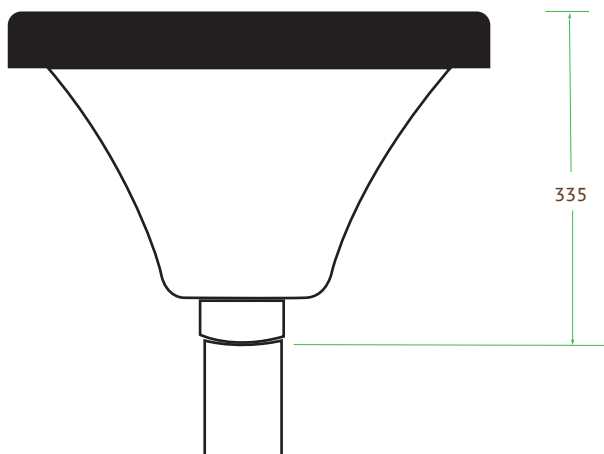
Electrical Specifications

• Led Power	30w
• IP Grade	IP65
• Solar panel life time	25years
• Solar panel Max power	5V/25W
• Working time	3-4 days
• Battert Type	3.2V/40AH lithium battery
• Charge time(by sun)	6-7hours(with enough strong shine)
• Sensor	With photocell sensor, time control
• Certification	ISO,CE,ROHS,TUV

Photometric & Packing Specifications

• Led Lamp	PHILIPS SMD 3030	• Material	Aluminum alloy
• Lumen Output	>4500LM	• Mounting height	3-5m
• LED life time	50000hours	• Working TEMP	-30°C ~ +60°C
• Bame Angle	120°	• G.W	6kg
• CCT	2700-6500k	• Unit size	W400*H335mm
• CRI	>80	• Carton size	43*43*36CM
• Warranty period	3 years	• QTY/CTN	1 set/ ctn

Product size(unit:mm)



LIGHT THE WORLD



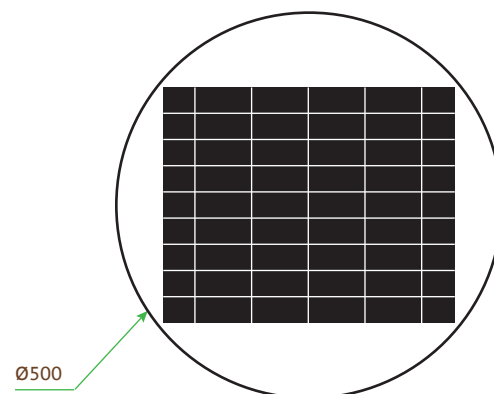
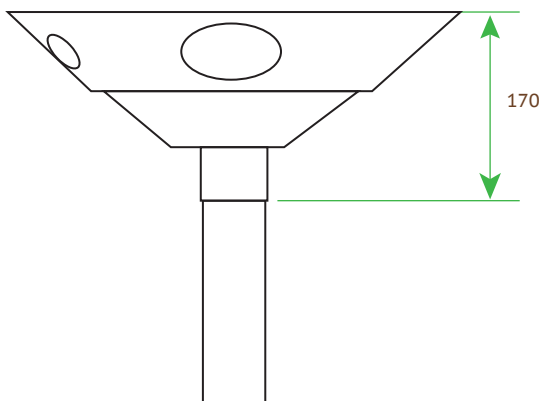
Electrical Specifications

• Led Power	30w
• IP Grade	IP65
• Solar panel life time	25years
• Solar panel Max power	16V/40W
• Working time	3-4 days
• Battert Type	12.6V/14AH lithium battery
• Charge time(by sun)	6-7hours(with enough strong shine)
• Sensor	With photocell sensor, time control
• Certification	ISO,CE,ROHS,TUV

Photometric & Packing Specifications

• Led Lamp	PHILIPS SMD 3030	• Material	Aluminum alloy
• Lumen Output	>4500LM	• Mounting height	3-5m
• LED life time	50000hours	• Working TEMP	-30°C ~ +60°C
• Bame Angle	120°	• G.W	6.5kg
• CCT	2700-6500k	• Unit size	W500*H170mm
• CRI	>80	• Carton size	57*57*21CM
• Warranty period	3 years	• QTY/CTN	1 set/ ctn

Product size(unit:mm)



— LIGHT THE WORLD —



ITEM No.: ENSL-50W-06C

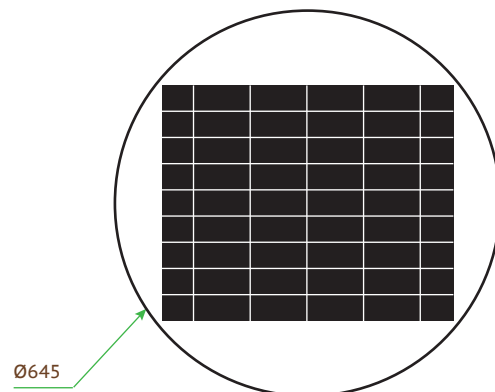
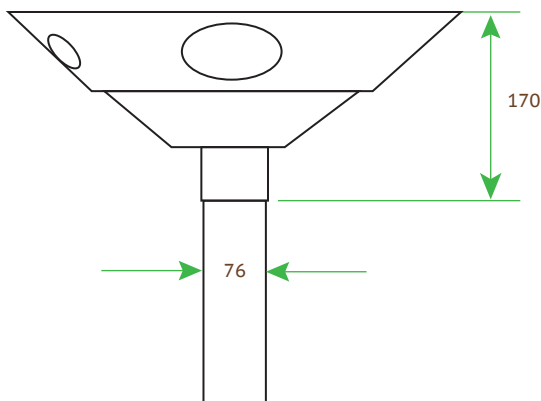
Electrical Specifications

- **Led Power** 50w
- **IP Grade** IP65
- **Solar panel life time** 25years
- **Solar panel Max power** 16V/50W
- **Working time** 3-4 days
- **Battert Type** 12.6V/22AH lithium battery
- **Charge time(by sun)** 6-7hours(with enough strong shine)
- **Sensor** With photocell sensor, time control
- **Certification** ISO,CE,ROHS,TUV

Photometric & Packing Specifications

- | | | | |
|--------------------------|------------------|--------------------------|------------------|
| • Led Lamp | PHILIPS SMD 3030 | • Material | Aluminum alloy |
| • Lumen Output | >7500LM | • Mounting height | 3-5m |
| • LED life time | 50000hours | • Working TEMP | -30°C ~ +60°C |
| • Bame Angle | 120° | • G.W | 10kg |
| • CCT | 2700-6500k | • Unit size | W605*H170mm |
| • CRI | >80 | • Carton size | 64.5*64.5*20.5CM |
| • Warranty period | 3 years | • QTY/CTN | 1 set/ ctn |

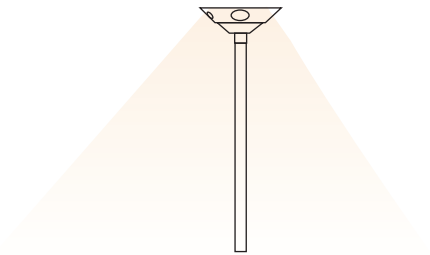
Product size(unit:mm)



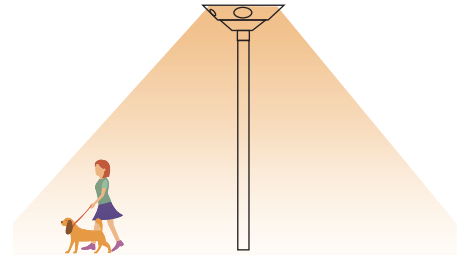
Microwave/PIR sensor

Use advanced Microwave/PIR Sensor technology, more sensitive and optimize brightness automatically. Max sensing distance is 12M. The built-in Microwave/PIR Sensor could automatically regulate brightness by identify moving object around, increase brightness when object approaches and decrease after object leaves about 20-30s (can be customized). This fluctuation of lighting intensity could preserves solar energy effectively.

No object



With object



Matters needing attention

Please choose a place that is full of sunlight and can be completely exposed to the sun. Notice that the solar panels must be covered, and must be exposed to the sun.



Pls don't install this product in shadow of trees or wall

1. "All-in-one" will not work without sun. Please select the matched product model according to the Sunlight intensity of the install location or the total annual radiation of solar energy. In the lacking sunlight or long continuous rainy day area, the working time of solar lights can be shortened or can not light, "All-in-one" light with mains supply or solar dual-mode electric power supply is suggested to choose in such case.
2. "All-in-one" selects long-life lithium battery as energy storage device. Discharge condition at night is at temperature -30°C ~ +60°C, battery performance will be damaged beyond this range. Please make sure the local extreme temperature does not exceed the above condition when selecting the "All-in-one".
3. "All-in-one" battery after fully charged, the longest store time can be up to six months. Check the battery in time after long time transport or storage, charge and record it on a regular time. Otherwise, the battery will be damaged.
4. When installing "All-in-one", make the solar panel towards the direction of the sun as possible in order to get maximum energy and avoid houses and the shadow of obstacles such as trees at the same time, otherwise it will reduce the generating efficiency of the solar panel, and lead to "All-in-one" working time being shortened.
5. "All-in-one" solar panel surface's degree of cleanliness also affects the generating efficiency of the solar panel. So its surface (such as dust, leaves, greasy dirt, etc.) needs to be cleaned, scrubbing with ordinary cleaner on a regular time is suggested.
6. "All-in-one" internal parts are with good waterproof design, all reach IP65 standard. Ventilation holes and cracks on the shell are specially designed for the cooling and drainage. Metal parts are all made of corrosion resistance 1060 aviation aluminum or stainless steel, which can tolerate the strict environment of the sea or high heat and high humidity desert.