

MINI -SERIES

ENELTEC[®]
brighten your ideas



5 YEAR
WARRANTY

LED STREET LIGHTS

LED Street Lights



High-efficiency LED light source

Philips Lumileds 3030 2D
Greater than 165lm/W high efficacy,
illumination grade LED light source.



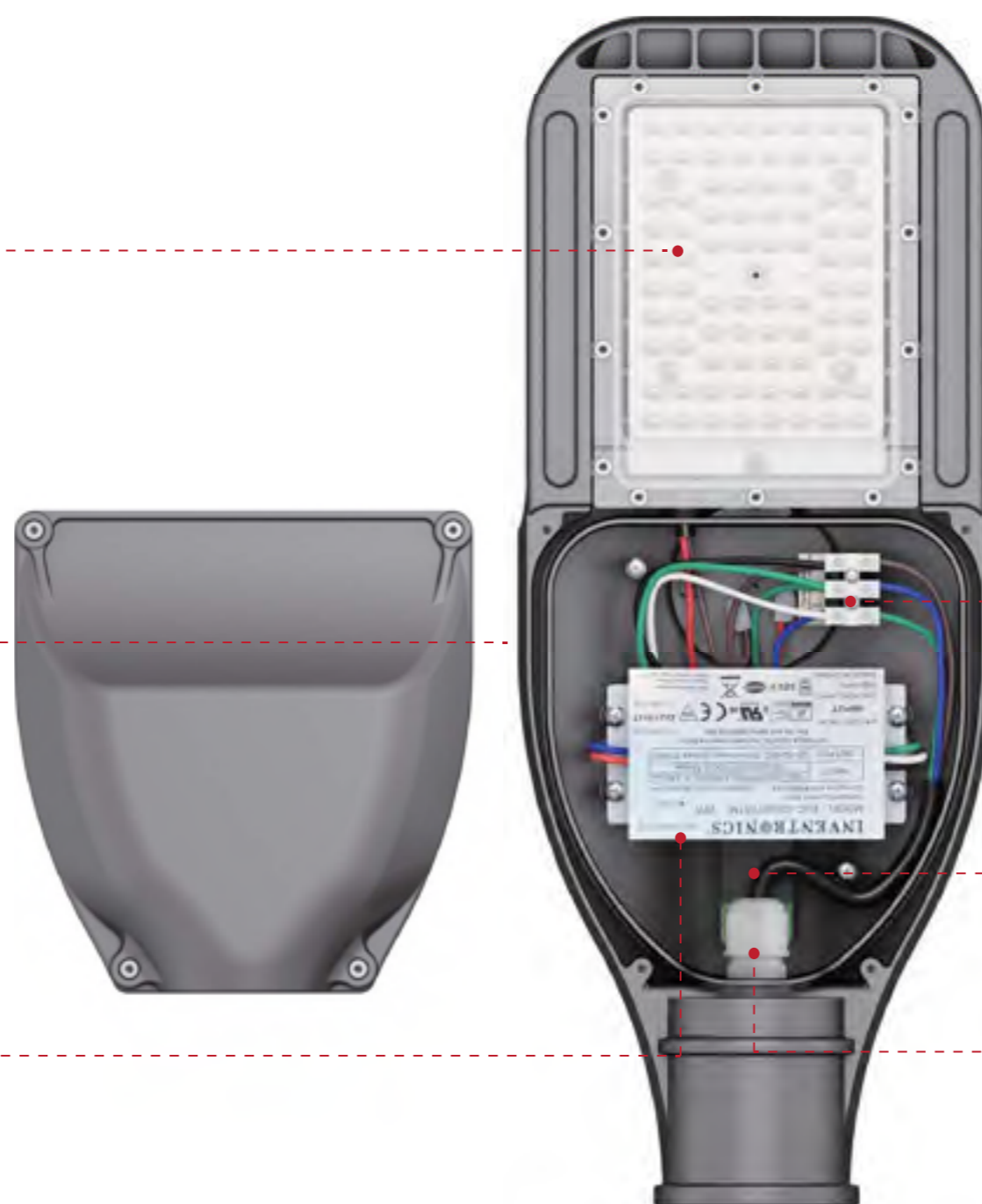
Photocell available

Lamp will Auto turn on and off according to lux difference.



LED power supply

High-end MeanWell XLG Series LED driver, optimal stability,
performance and lifespan.



Connect base

Disassemble easily which reduces maintenance costs.



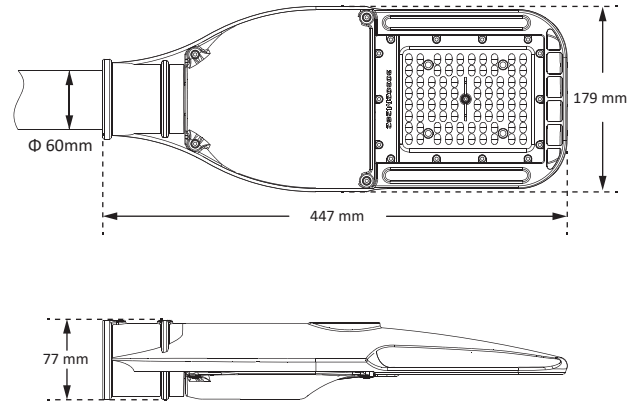
Surge protec. on device(10KV)

To provide more reliable guarantee for LED driver,
extend the life of the product.



Waterproof connector

Use M16 waterproof connector to ensure that the driver box is
waterproof and damage caused by excessive force.



Electrical & Photometric

★ 3030 Version

Series	Model	LED Qty/ Current	Power	Luminaire efficacy (+/- 5%)	Lumen Output (+/- 5%)	Input Voltage	LED Brand	Driver Brand	Light Distributions	CCT (K)	Surge Protection Device	Lifetime (h)
MINI	ENSL-20W-MINI	40units/ 75mA	20W	146 lm /w	2920 lm	100-240V /277V AC 50 /60Hz	Philips Lumileds 3030 2D	MEANWELL	Typell, Medium	3000* 4000 5000 5700	10KV	>100,000 (L70)
	ENSL-20W-MINI+	80units/ 38mA	20W	156 lm /w	3120 lm							
	ENSL-30W-MINI	40units/ 115mA	30W	140 lm /w	4200 lm							
	ENSL-30W-MINI +	80units/ 58mA	30W	151 lm /w	4530 lm							
	ENSL-40W-MINI	56units/ 110mA	40W	140 lm /w	5600 lm							
	ENSL-40W-MINI+	80units/ 78mA	40W	147 lm /w	5880 lm							
	ENSL-50W-MINI	80units/ 95mA	50W	142 lm /w	7100 lm							

*Luminous Efficacy of 3000K is 5% lower than other CCTs.

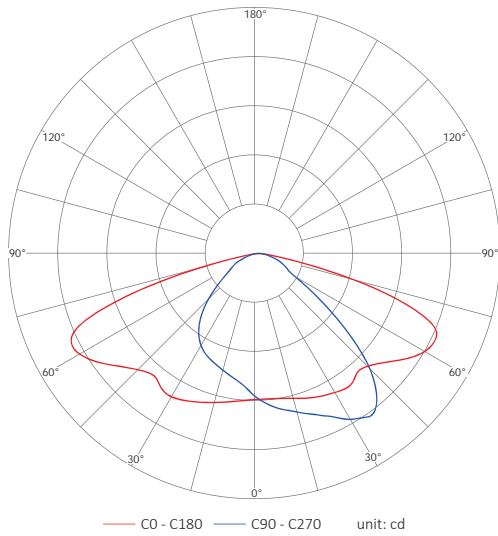
★ 5050 Version

Series	Model	LED Qty/ Current	Power	Luminaire efficacy (+/- 5%)	Lumen Output (+/- 5%)	Input Voltage	LED Brand	Driver Brand	Light Distributions	CCT (K)	Surge Protection Device	Lifetime (h)
MINI	ENSL-20W-MINI	16units/ 48mA	20W	154 lm /w	3080 lm	100-240V /277V AC 50 /60Hz	Philips Lumileds 5050	MEANWELL	Typell, Medium	3000* 4000 5000 5700	10KV	>100,000 (L70)
	ENSL-20W-MINI+	28units/ 28mA	20W	160 lm /w	3200 lm							
	ENSL-30W-MINI	22units/ 54mA	30W	154 lm /w	4620 lm							
	ENSL-40W-MINI	22units/ 70mA	40W	150 lm /w	6000 lm							
	ENSL-50W-MINI	28units/ 70mA	50W	150 lm /w	7500 lm							

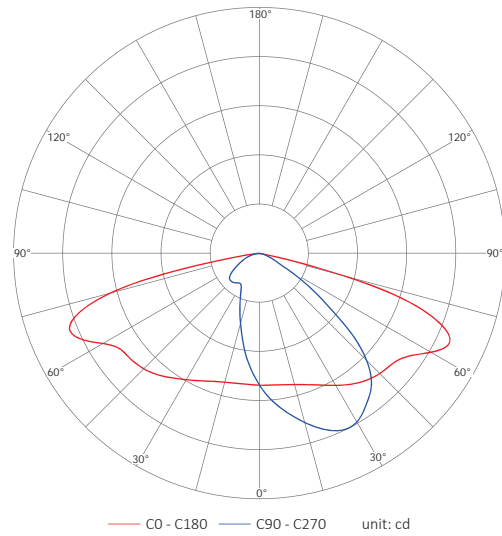
*Luminous Efficacy of 3000K is 5% lower than other CCTs.

Light Distribution Diagram

3030 Version TYPE II



5050 Version TYPE II BLS



Working Environment & Packing

Model	Product Dimensions (mm)	Carton Size (mm)	N.W (kg)	G.W (kg)	Working Environment	Storage Temperature	Rating	CRI	Power Factor	Power Efficiency	Material	Pole Diameter (mm)
ENSL-20W-MINI	447*179*77	465*200*100	2.2	2.6	-40 °C ~ +50 °C 10% ~ 90%RH	-40 °C ~ +50 °C	Class I IP66 IK10	>70	>0.95	>90%	Housing: Die-cast aluminum Lens: PC	60 (50 optional)
ENSL-30W-MINI	447*179*77	465*200*100	2.2	2.6								
ENSL-40W-MINI	447*179*77	465*200*100	2.2	2.6								
ENSL-50W-MINI	447*179*77	465*200*100	2.3	2.7								

Note: Above data of weight are all typical values.

Certification

Manufacturer
ISO9001, ISO14001
MINI SERIES
CE, CB, ROHS, ENEC, LM80



ISO9001
ISO14001
ISO50001



5 YEAR
WARRANTY

LED STREET LIGHTS



Easy Maintenance

Tool-less to open the cover of driver box



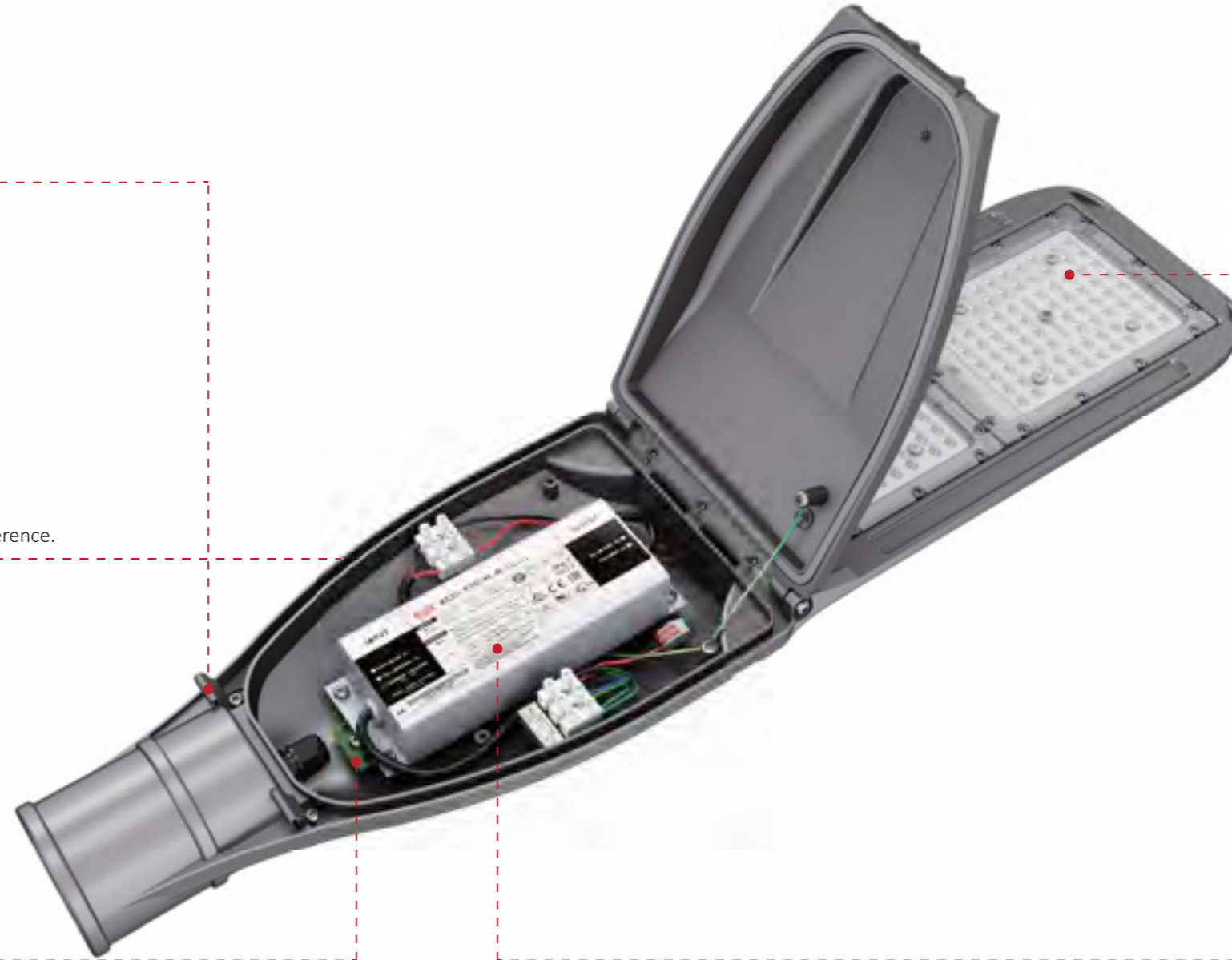
Photocell available

Lamp will Auto turn on and off according to lux difference.



Surge protec. on device(10KV)

To provide more reliable guarantee for LED driver, extend the life of the product.



High-efficacy LED light source



Philips Lumileds 3030 2D
Greater than 150lm/W high efficacy,
illumination grade LED light source.



Philips Lumileds 5050
Greater than 185lm/W high efficacy,
illumination grade LED light source.

LED power supply



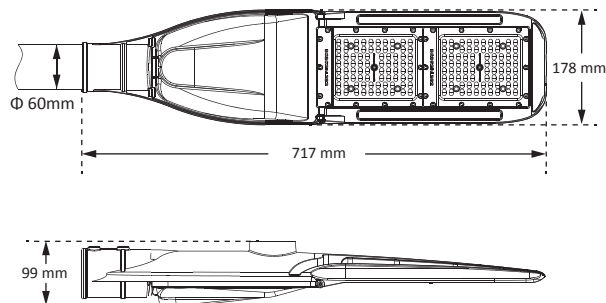
+ NON-DIMMABLE

High-end MeanWell XLG Series LED driver, optimal stability, performance and lifespan.



+ DIMMABLE

High-end programmable Inventronics LED driver, integrate dimming function and surge protection. Provide excellent performance and lifespan.



Electrical & Photometric

★ 3030 Version

Series	Model	LED Qty/ Current	Power	Luminaire efficacy (+/- 5%)	Lumen Output (+/- 5%)	Input Voltage	LED Brand	Driver Brand	Light Distributions	CCT (K)	Surge Protection Device	Lifetime (h)
MINI	ENSL-60W-MINI	80units /116mA	60W	140 lm /w	8400 lm	100-240V /277V AC 50 /60Hz	Philips Lumileds 3030 2D	MeanWell Inventronics	TypeII, Medium	3000* 4000 5000 5700	10KV (20KV optional)	>100,000 (L70)
	ENSL-60W-MINI+	160units /58mA	60W	153 lm /w	9180 lm							
	ENSL-70W-MINI	80units /135mA	70W	135 lm /w	9450 lm							
	ENSL-70W-MINI+	160units /68mA	70W	153 lm /w	10710 lm							
	ENSL-80W-MINI	112units /112mA	80W	144 lm /w	11520 lm							
	ENSL-80W-MINI+	160units /78mA	80W	153 lm /w	12240 lm							
	ENSL-90W-MINI	112units /126mA	90W	140 lm /w	12600 lm							
	ENSL-90W-MINI+	160units /88mA	90W	150 lm /w	13500 lm							
	ENSL-100W-MINI	112units /140mA	100W	137 lm /w	13700 lm							
	ENSL-100W-MINI+	160units /98mA	100W	146 lm /w	14600 lm							
	ENSL-110W-MINI	160units /110mA	110W	143 lm /w	15730 lm							
	ENSL-120W-MINI	160units /118mA	120W	140 lm /w	16800 lm							
	ENSL-130W-MINI	160units /126mA	130W	136 lm /w	17680 lm							

*Luminous Efficacy of 3000K is 5% lower than other CCTs.

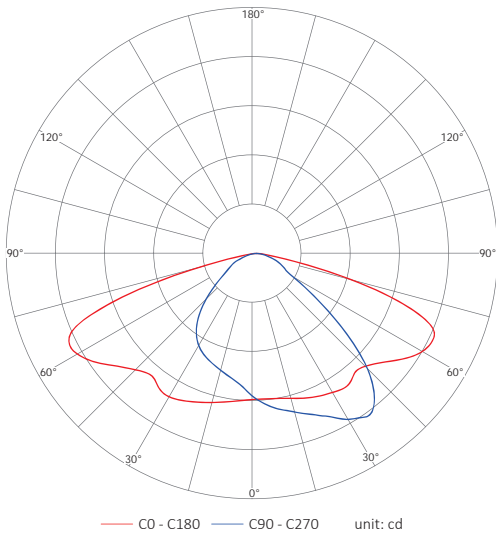
★ 5050 Version

Series	Model	LED Qty/ Current	Power	Luminaire efficacy (+/- 5%)	Lumen Output (+/- 5%)	Input Voltage	LED Brand	Driver Brand	Light Distributions	CCT (K)	Surge Protection Device	Lifetime (h)
MINI	ENSL-60W-MINI	32units /76mA	60W	153 lm /w	9180 lm	100-240V /277V AC 50 /60Hz	Philips Lumileds 5050	MeanWell Inventronics	TypeII, Medium (BLS)	3000* 4000 5000 5700	10KV (20KV optional)	>100,000 (L70)
	ENSL-60W-MINI+	56units /44mA	60W	163 lm /w	9780 lm							
	ENSL-70W-MINI	32units /89mA	70W	150 lm /w	10500 lm							
	ENSL-70W-MINI+	56units /51mA	70W	160 lm /w	11200 lm							
	ENSL-80W-MINI	44units /75mA	80W	156 lm /w	12480 lm							
	ENSL-80W-MINI+	56units /59mA	80W	160 lm /w	12800 lm							
	ENSL-90W-MINI	44units /85mA	90W	153 lm /w	13770 lm							
	ENSL-90W-MINI+	56units /66mA	90W	157 lm /w	14130 lm							
	ENSL-100W-MINI	44units /94mA	100W	150 lm /w	15000 lm							
	ENSL-100W-MINI+	56units /74mA	100W	154 lm /w	15400 lm							
	ENSL-110W-MINI	56units /82mA	110W	155 lm /w	17050 lm							
	ENSL-120W-MINI	56units /90mA	120W	152 lm /w	18240 lm							
	ENSL-130W-MINI	56units /97mA	130W	150 lm /w	19500 lm							

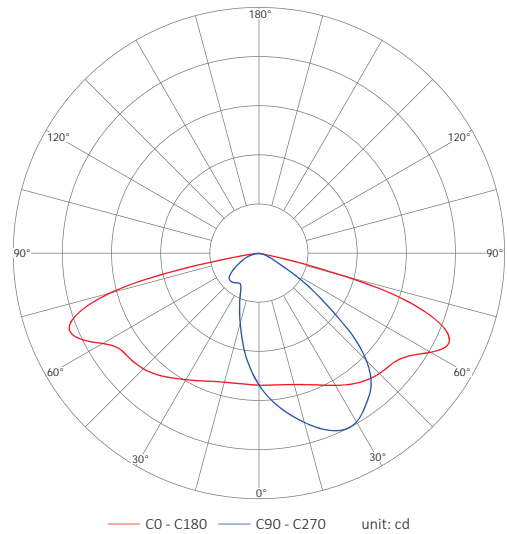
*Luminous Efficacy of 3000K is 5% lower than other CCTs.

Light Distribu. on Diagram

3030 Version TYPE II



5050 Version TYPE II BLS

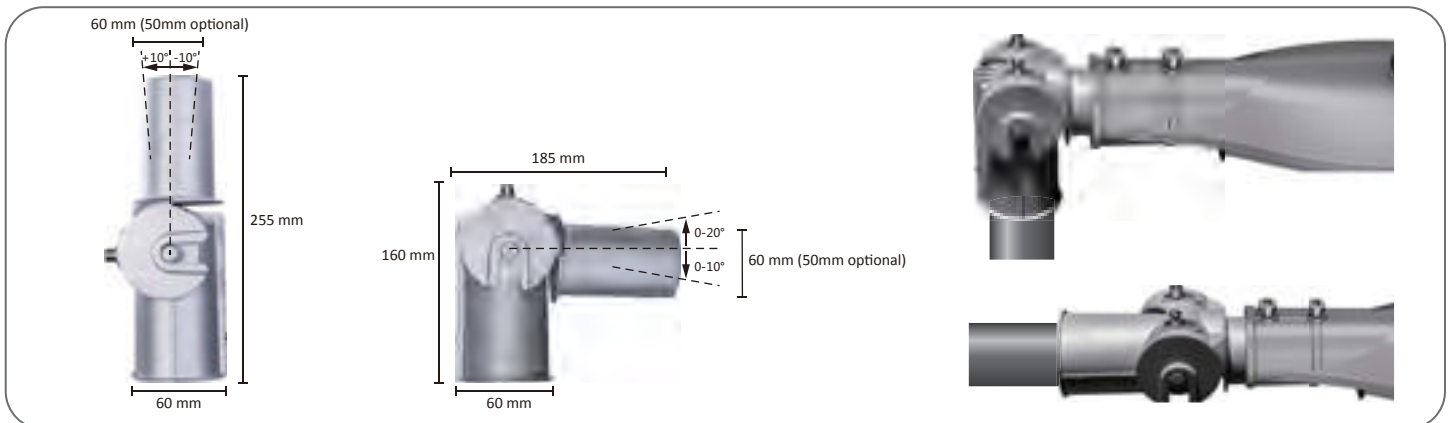


Working Environment & Packing

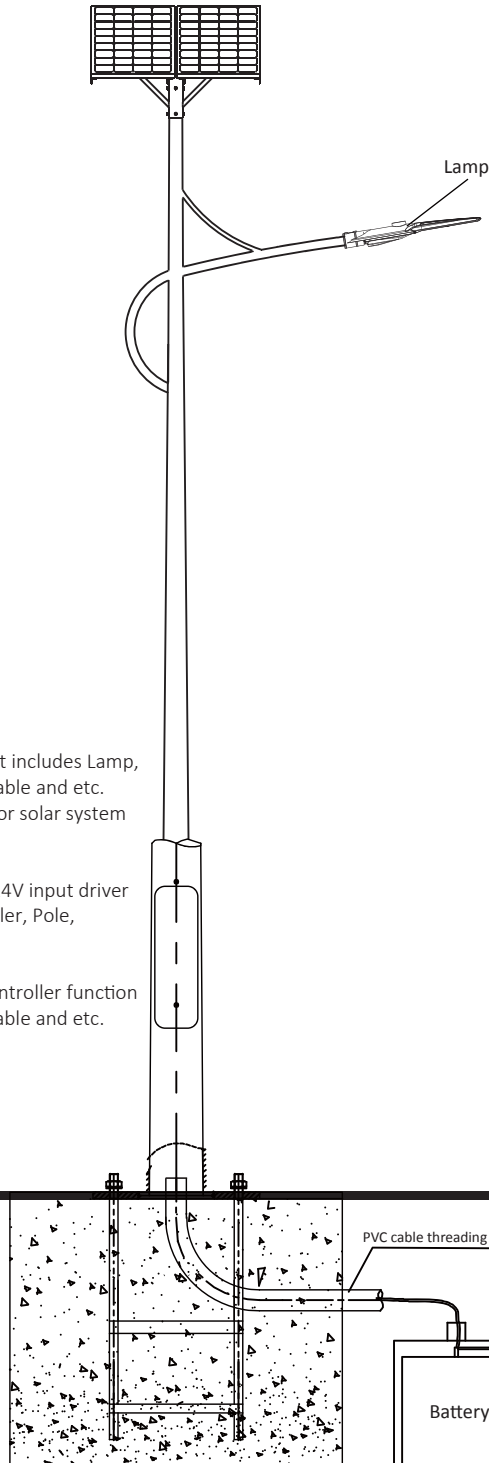
Model	Product Dimensions (mm)	Carton Size (mm)	N.W (kg)	G.W (kg)	Working Environment	Storage Temperature	Rating	CRI	Power Factor	Power Efficiency	Material	Pole Diameter (mm)
ENSL-60W-MINI	717*178*99	735*195*120	3.62	4.20	-40 °C ~ +50 °C 10% ~ 90%RH	-40 °C ~ +50 °C	Class I IP66 IK10	>70	>0.95	>90%	Housing: Die-cast aluminum Lens: PC	60
ENSL-70W-MINI	717*178*99	735*195*120	3.62	4.20								
ENSL-80W-MINI	717*178*99	735*195*120	3.62	4.20								
ENSL-90W-MINI	717*178*99	735*195*120	3.62	4.20								
ENSL-100W-MINI	717*178*99	735*195*120	3.62	4.20								
ENSL-110W-MINI	717*178*99	735*195*120	3.84	4.42								
ENSL-120W-MINI	717*178*99	735*195*120	3.84	4.42								
ENSL-130W-MINI	717*178*99	735*195*120	3.84	4.42								

Note: Above data of weight are all typical values.

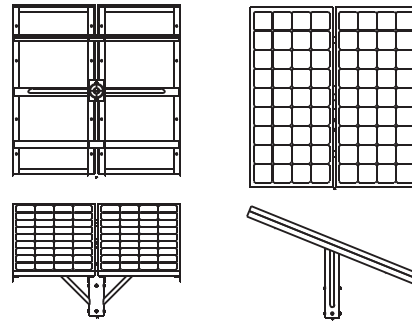
Optional accessories



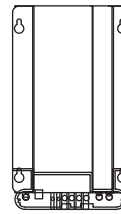
Solar Street Light System



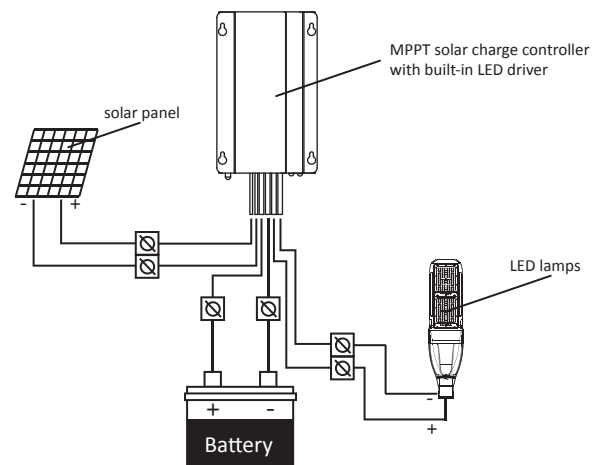
SOLAR PANEL



CONTROLLER



PARTS CONNECTION DIAGRAM



A complete set of Solar street light includes Lamp, Battery, Panel, Controller, Pole, Cable and etc. ENELTEC also provides solutions for solar system based on mini series.

Option 1

ENELTEC Street Light with DC12/24V input driver
Rest parts: Battery, Panel, Controller, Pole, Cable and etc.

Option 2

ENELTEC Street light combines controller function
Rest parts: Battery, Panel, Pole, Cable and etc.

GROUND

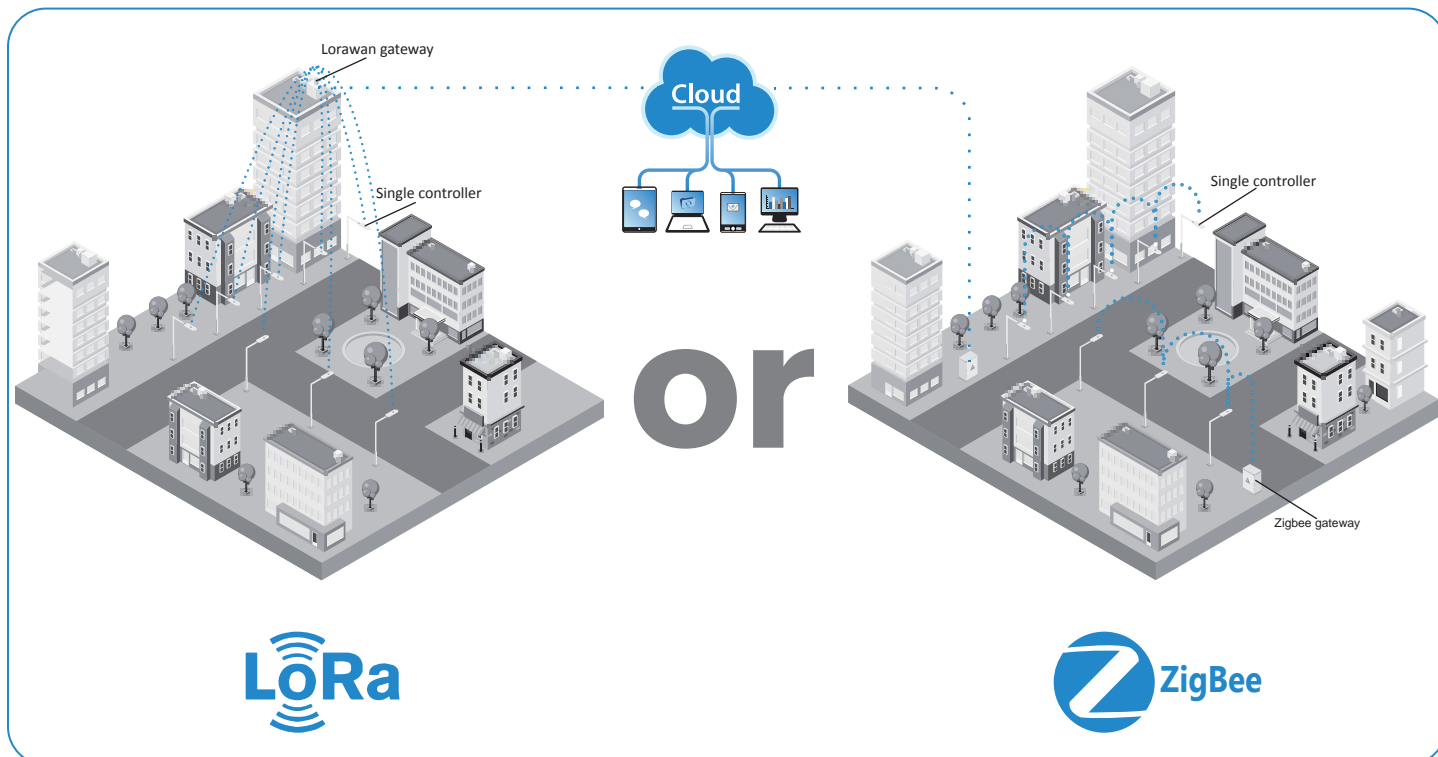
Customized service

Due to each city has its own sunshine condition, and customers have different working hours and rainy days on request.

If you want to know more exact configuration, please contact us for below questions:

1. What is the geographical location your solar LED street lighting system will be installed?
2. How many hours per night the LED street light works?
3. How many days to backup in case of continuous rainy days?
4. Do you need dimming the LED street light (during the off-peak hours)?
5. Do you have any other requirements?

Intelligence Street Lighting System



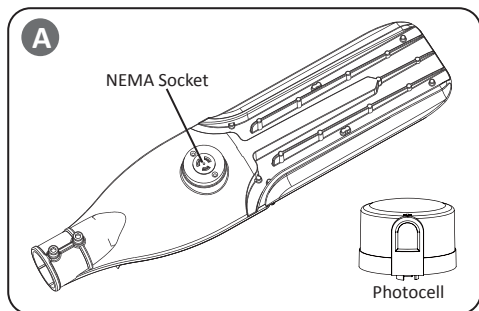
ENELTEC provides a total solution for intelligence street lighting system. ENELTEC street light intelligence system is made up by software, gateway, single light controller. The gateway is installed in the distribution cabinet, the single light controller is installed in the lighting terminal. It proceeds with communication via GPRS/ CDMA/ WCDMA wireless network or cable network & monitor center and proceeds with communication via ZIGBEE/ LORA.

Gateway can control each single light controller via receiving, executing, forwarding PC management software, which can control each lamp's switching on/ off or dimming, then save electric energy. It can also monitor the lamps' electric energy to achieve failure lamps function. Gateway can built-in DO to achieve street light loop control, it can connect with other equipment to collect local illumination, temperature and other information, feedback to PC management software and achieve to monitor the current information.

At present, all our series of LED street lights can be combined with the intelligence street lighting system. If you want to know more, please contact ENELTEC Team.

Optical Control

Optical control function is supported by optional



If the fixture with PHOTOCCELL function, the NEMA Socket will be installed on the cover of fixture. See **A**. Fit the pins of Photocell to NEMA Socket, firmly insert and rotate Photocell to proper position.

<Verifying>

Make sure all the connections done and photocell is well installed on the fixture, switch on the power supply and cover the window of NEMA Socket, wait 5 seconds, the fixture will be turned on.