

ENELTEC®

brighten your ideas

LED Spot Lights



BRIDGELUX

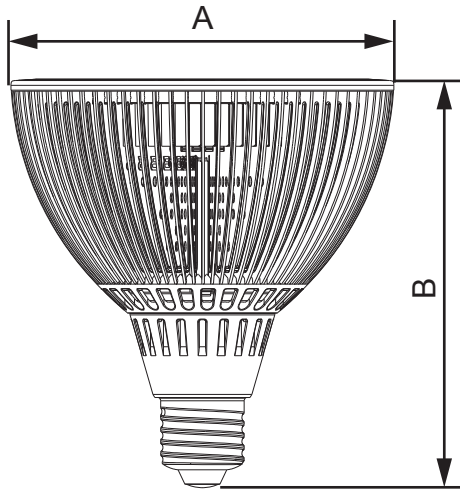


Specifications:

- Power: 5-60W
- Beam Angle: 35°
- Voltage: 85-277VAC
- Power Factor: ≥ 0.9
- Color: 2800-3200K / 4000-4500K / 6000-6500K
- Operating temperature: -40 to + 45°C
- Material: Aluminium Alloy
- Light Degradation: < 5% in 20,000 hours
- Warranty: 3 years



- Dimensions:

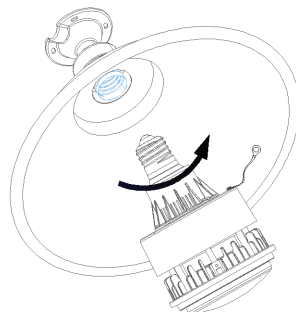


Model	Dimension (mm)	
	A	B
ENSP-5WPAR20-01	Φ63	93
ENSP-7WPAR30-01	Φ95	96
ENSP-12WPAR38-01	Φ118	152
ENSP-36WPAR56-01	Φ173	209
ENSP-60WPAR64-01	Φ204	228

- Installation:

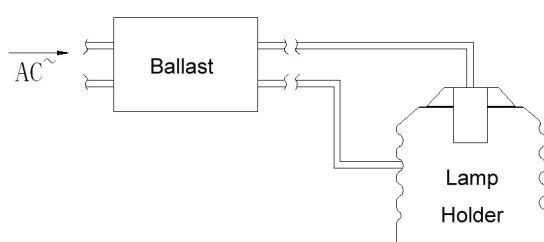
A: Replace CFL

Remove the self-ballasted CFL , and install the LED light on the lamp holder by clockwise rotating, fix the insurance rope.

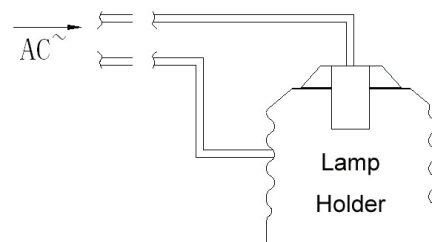


B: Replace MH & HPS Light

Remove the ballast of MH & HPS Light, connect the wires to the lamp holder, install the LED light, fix the insurance rope.



Before



After

● Data:

Model	ENSP-5WPAR20-01	ENSP-7WPAR30-01	ENSP-12WPAR38-01	ENSP-36WPAR56-01	ENSP-60WPAR64-01
Power (W)	5	7	12	36	60
Lumen Output (LM)	450	630	1080	3240	5400
LED	BRIDGELUX 45mil 1W×5pcs	BRIDGELUX 45mil 1W×7pcs	BRIDGELUX 45mil 1W×12pcs	BRIDGELUX 45mil 1W×36pcs	BRIDGELUX 45mil 1W×60pcs
Input Voltage	85-277VAC, 50Hz/60Hz				
Power Factor	≥0.9				
Power Efficiency	94%				
Beam Angle	35°				
Color	2800-3200K / 4000-4500K / 6000-6500K				
CRI	>80				
Light Source Lifespan	50000h				
Working Environment	Temperature: -40℃~50℃ Humidity: 10%~90%				
Storage Environment	Temperature: -25℃~65℃ Humidity: 10%~90%				
IP Rating	IP25				
Housing	Aluminium alloy				
Packing Method	210 pcs/ctn	120 pcs/ctn	60 pcs/ctn	12 pcs/ctn	8 pcs/ctn
Packing Dimension (mm)	520×475×460	650×445×400	520×505×430	670×450×535	535×530×605
Net Weight/ Gross Weight (kg)	27.2/30.6	26.1/29.3	25.6/28.8	29.0/32.6	29.0/32.6

● Packing Method

